



The LBX-4C is a compact laser combiner system which integrates standard LaserBoxx DPSS and diode modules.

Its modular design authorizes a large choice of laser lines with free space beam output or delivery through single or multiple PM fibers. It is field upgradable for cost effective future extensions.

Available in P&P or OEM version, the LBX-4C comes with a Windows User Interface and is compatible with μ Manager.

LBX-4C Laser Combiner

Benefits

- Up to 4 combined wavelengths
- Modular optical design
- Easy maintenance
- Windows Graphic User Interface
- Optional multiple outputs

Super Resolution Imaging
Confocal Microscopy
SPIM, FRAP, TIRF
Flow Cytometry
Optogenetics

Key features

- Ultra Low Noise < 0.5 %
- Direct modulation
- USB and RS232 computer interface
- SM/PM/MM fiber coupling options

375 405 445 473 488 515 532 553 561 594 640 660 705 730 785

Specifications

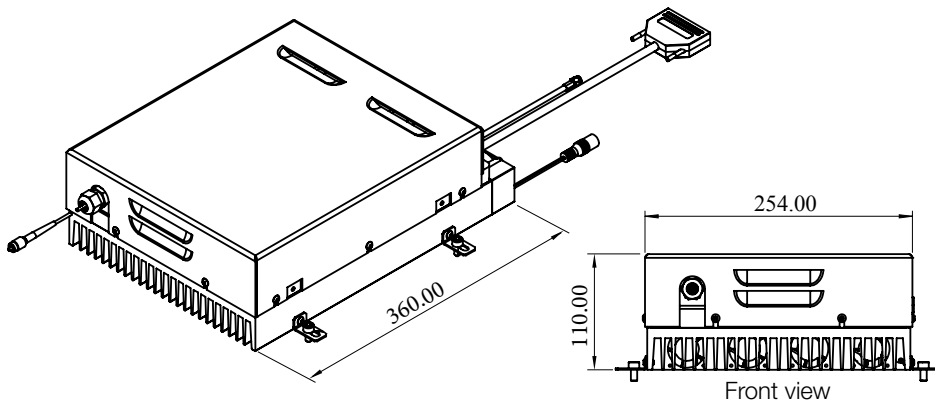
LBX-405 LBX-488 LBX-561 or LMX-561L LBX-638 Units

Optical specifications						
Wavelengths	405	488	561	561	638	nm
Wavelength range	± 5	+ 2/- 5	± 2	± 1	+ 5/- 2	
Laser type	Laser Diode	Laser Diode	Doubled LD	DPSS	Laser Diode	
Laser Output Power	50, 100 120, 300	50, 100 150, 200	40	50, 100 200, 300	100, 150	mW
Output Power range	0-100%	0-100%	0-100%	0-100% (AOM)	0-100%	
Free Space Beam Output						
Output Power at exit of the Combiner	45, 95 115, 290	45, 90 135, 180	35	40, 80 160, 240	85, 130	mW
Beam Diameters (typ.)	0.7	0.8	0.7	0.7	0.8	mm
Power Stability over 8 hours and ±3°C, p-p	± 0.5	± 0.5	± 0.5	± 1	± 0.5	%
Optical Noise rms, 10Hz - 20MHz	< 0.5					%
Polarization Ratio	> 100:1					-
PM Fiber Coupling Output						
Coupling Efficiency FC/APC connectors, 1.5m fiber length	> 50					%
Power Stability over 8 hours and ±1.5°C, p-p	± 2					%
Fiber Length 3mm PVC/Kevlar tubing	1.5					m
Exit Connector	FC/APC					-

Other available wavelengths : 375, 445, 473, 515, 532, 553, 594, 642, 660, 705, 730, 785 nm



LBX-4C series,
Laser head with optional heatsink



System parameters

- Input Voltage : 115-240 VAC
- Power Consumption : < 100 W
- Operating Temperature : 15 - 30 °C

Analog modulation up to 1 MHz

Options

- 2, 6, 8 laser lines
- Heatsink
- Multiple fiber outputs
- Achromatic fiber collimator
- Electro-mechanical shutter

Contact us:

Oxxius S.A.
4 rue Louis de Broglie
F-22300 Lannion, France
Phone: +33 296 48 70 28
Fax: +33 296 48 21 90
sales@oxxius.com
www.oxxius.com

USA	RPMC Lasers	rpmc@rpmclasers.com	(+1) 636 272 7227
BeNeLux	Oxxius S.A.	sales@oxxius.com	(+33) 296 48 70 28
France	Opton-Laser International	ventes@optonlaser.com	(+33) 1 69 41 04 05
Germany	Laser 2000 GmbH	contact@laser2000.de	(+49) (0) 8153 4050
Italy	Laserpoint s.r.l	sales@laserpoint.it	(+39) 02 274 00236
Poland	Scitec Instruments Polska	sales@scitecinstruments.pl	(+48) 22 406 8127
Scandinavia	Laser 2000 GmbH	info@laser2000.se	(+46) 8 555 36 235
Spain/Portugal	Laser 2000 SAS	info@laser2000.es	(+34) 650 529 806
Switzerland	Dyneos AG	info@dyneos.ch	(+41) 52 355 1240
UK/Ireland	Laser 2000 Ltd	sales@laser2000.co.uk	(+44) 1933 461666
UK/Ireland	Scitec Instruments Ltd	sales@scitec.uk.com	(+44) 1225 864 200
Israel	Applied Tech. Services (ATS)	dror@ats.co.il	(+972) 09-9574111
China	Aunion Tech Co., Ltd	jlnlong.wu@haoliangtech.com	(+86) 21 6257 8098
Japan	Autex, Inc.	sales32@autex-inc.co.jp	(+81) 3 322 66321
Korea	L2K Co., Ltd	sales@l2k.kr	(+82) 42 934 7744
Singapore	Acexon Technologies	lawrence.chua@acexon.com	(+65) 6565 7300
Taiwan	Bio Accord	biotical@ms37.hinet.net	(+886) 2 2250 5019
Australia	Lastek Pty Ltd	alex.stanco@lastek.com.au	(+61) 8 8443 8668



VISIBLE AND INVISIBLE LASER
RADIATION
AVOID EYE OR SKIN EXPOSURE TO
DIRECT OR SCATTERED RADIATION
CLASS 4 LASER PRODUCT