

# ALTAIR

## High repetition rate, High power femtosecond fiber laser



ALTAIR produces high average power with ultrashort femtosecond pulses (<150fs) at high repetition rate, typically 80 MHz, in a compact and robust format. ALTAIR is a fiber laser providing high stability and excellent beam quality.

Integrating state of the art high-power fiber amplifiers and pulse management, ALTAIR offers remarkable pulse quality at high average power with no maintenance required.

ALTAIR embeds perfectly into any kind of systems working in a 24/7 operating environment, year-wide. Its very reduced footprint, weight and capital investment make it the money-maker you need.



[www.spark-lasers.com](http://www.spark-lasers.com)  
Phone : +33 564 310 484  
[info@spark-lasers.com](mailto:info@spark-lasers.com)

### ALTAIR Key Features

- 5 W average power
- <150 fs pulse duration
- High repetition rate
- Excellent beam quality
- Low timing jitter
- Compact package
- Rugged design
- Plug-and-play
- Maintenance free

### ALTAIR applications

- Multiphoton microscopy
- Optogenetics
- Terahertz generation

# Technical Specifications\*

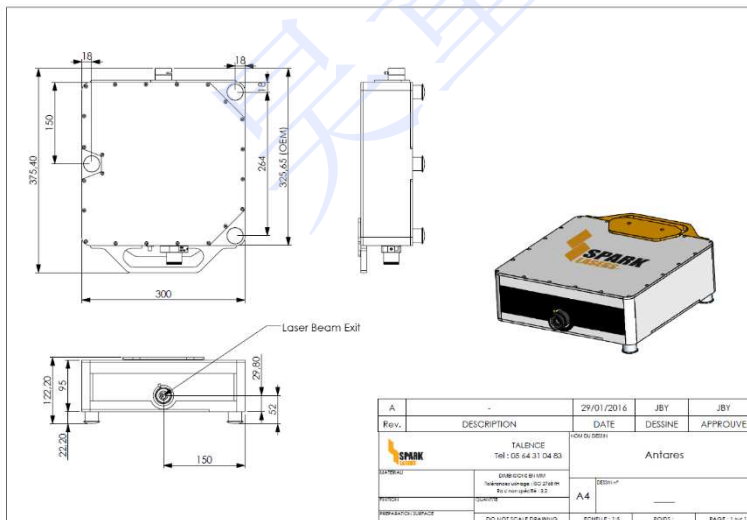
Model	ALTAIR IR-5
Wavelength	1064 nm
Spectral linewidth	30 nm
Pulse duration <sup>1</sup>	<150 fs
Max. average power	5 W
Repetition rate <sup>2</sup>	80 MHz
M <sup>2</sup>	<1.2
Beam waist diameter	1 mm
Beam pointing	<25 µrad/°C
Ellipticity	>0.9
Warm-up time	< 15 min
Power stability	<2% RMS
Pulse stability	<2% RMS
Polarization <sup>3</sup>	Vertical, >100:1
Laser head dimensions (mm <sup>3</sup> )	300 x 300 x 80
Laser controller dimensions	19"/3U rack
Standard umbilical length <sup>4</sup>	3 m
Power consumption	100 to 240 VAC < 400 W
Cooling	Air cooled

1. Other pulse durations available upon request
2. Other repetition rates available upon request.
3. Direction of linear polarization is factory set depending on the user needs.
4. Can be upgraded up to 10 m, contact us for more details

\* Specifications subject to change without notice.

\*\* Other wavelengths available upon request

For custom specifications, please contact us



SPARK LASERS offers a 24-month warranty for all ALTAIR laser range.

For full details of this warranty coverage, please refer to our website [www.spark-lasers.com](http://www.spark-lasers.com) or contact us at +33 564 310 484



Batiment IOA  
Rue François Mitterrand  
33400 Talence  
FRANCE

## Contact

[www.spark-lasers.com](http://www.spark-lasers.com)

Phone : +33 564 310 484

info@spark-lasers.com