

Gooch & Housego

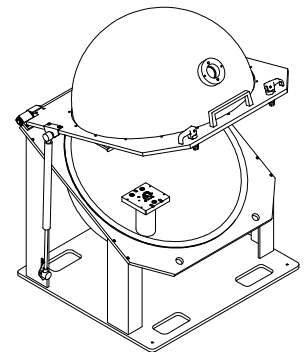
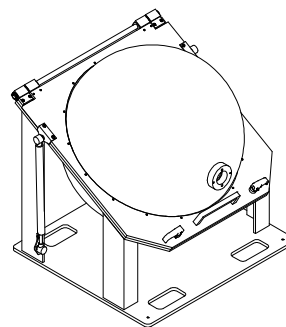
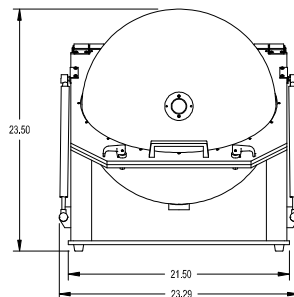
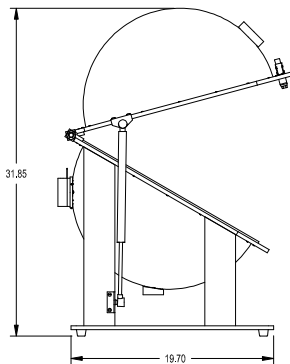


OL IS-1800H 18-Inch Integrating Sphere (with vertical opening)

The OL IS-1800H 18-inch Integrating Sphere consists of a hinged sphere assembly, an exit port, an auxiliary lamp, and an internal baffle port. The exit port has a coated internal baffle that eliminates any non-integrated light from exiting it and holds a removable filter. The auxiliary lamp port also has a coated baffle, which helps to integrate the output of the lamp to the sphere. The complete assembly is mounted in a sturdy aluminum frame. The internal surface and both baffles are coated with Gooch & Housego's Optolon 2 high reflectance coating.

Unlike its predecessor, the OL IS-1800, which opens horizontally, the OL IS-1800H is equipped with a vertical opening. As a result of the design change, the sphere footprint is substantially smaller. Additionally, the horizontally-mounted seam allows for an optional port to be placed on top of the hemisphere for testing downlights.

Sphere Diameter	18 inches (45.7 cm)
Sphere Coating	Optolon 2
Reflectance (visible range)	> 98%
Wavelength Range	300 – 2500 nm
Exit Port (single).....	1.75 inches (4.45 cm) aperture
Auxiliary Lamp Port (single).....	1.375 inches (3.5 cm) diameter
Auxiliary Lamp	30 watt, type DZA
Maximum Lamp Length	12 inches (30 cm)
Maximum Lamp Wattage.....	150 watts
Dimensions	see below
Weight.....	50 lbs (22.7 kg)



Contact: orlandosales@goochandhousego.com

www.GHinstruments.com

As part of our policy of continuous product improvement, we reserve the right to change specifications at any time

