

# Optromix - SFY

## CW Single-Mode 1 $\mu\text{m}$ Fiber Laser

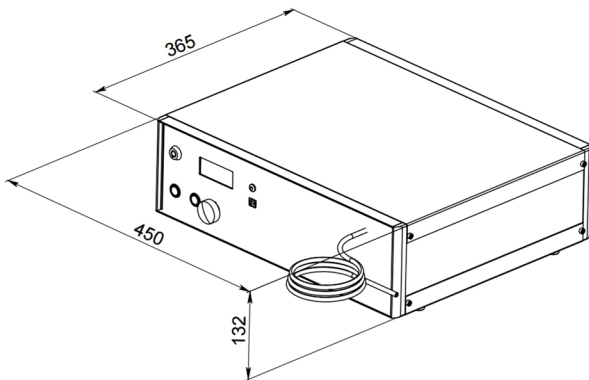
Central Wavelength Standard: 1030, 1093 nm  
Custom: Any within the range 1030 – 1110 nm

### KEY FEATURES

- Ultra Narrow Linewidth
- High Power Stability
- High Beam Quality
- Thermal Wavelength Tuning
- Computer Control



### DIMENSIONS



Housing for 2 W, 5 W, 10 W, 15 W output power model.

# Specifications

## Optical

Parameter	Optromix-PME	Optromix-SME
Operating mode	CW, Single Frequency, TEM <sub>00</sub>	
Central Wavelength <sup>1</sup>	1030 nm, 1093 nm	
Linewidth (FWHM) <sup>2</sup>	< 100 kHz (typical < 70 kHz)	
Nominal Output Power	0.05, 0.1, 0.2, 0.5, 1, 2, 5, 10, 15 W	
Power Stability <sup>3</sup>	< 1% (typical < 0.5%)	
Beam quality (M <sup>2</sup> )	< 1.05 (typical < 1.02)	
Piezo Tuning Range <sup>4</sup>	+/- 15 pm	
Thermal Tuning Range	+/- 0.15 nm	
Polarization	Linear (PER > 23 dB)	
Optical Output <sup>5</sup>	Armed Fiber with a Collimator or Isolator	
RIN level (peak: app 1.4 MHz)	< -110dB/Hz@peak, < -140dB/Hz@10MHz	
Output Power Tunability	10 – 100%	

### Notes

1. 10\*\* nm by request, Custom wavelengths 1030 – 1110 nm.
2. Custom Linewidth < 15 kHz
3. Over 1 Hour with base temperature constant within 0.2 °C after 30 minute warm-up

4. Option, External PZT Driver 0-120V
5. Optional output: Bare Fiber, FC or FC/APC connector (= 2W output)

## Electrical / Mechanical / Environmental

Parameter	Optromix-DSE
Power Supply Requirements	100–240V, 50–60Hz, Single Phase
Power Consumption (10W output)	< 500 W
Control Connector <sup>1</sup>	USB
Cooling	Forced Air
Dimensions (WxHxL)	≥ 2 W output: 450 mm x 132 mm x 365 mm < 2 W output: 450 mm x 95 mm x 365 mm
Weight	< 18 kg
Operation temperature	10 – 35 °C
Storage temperature	- 40 – +70 °C
Operation Humidity	10 – 85 %
MTBF	> 10.000 Hrs
Standard Patch Cord Length <sup>2</sup>	1.2 m

### Notes

1. Optional Connectors: RS232, Ethernet

2. Optional length: Up to 5 m

Warranty: Standard Warranty - 12 months from the date of delivery.

Product code:

Optromix-SFY-1xxx-yyyyy-cc

xx	Wavelength (nm)
yyyy	Output power (mW)
cc	Optical output: FA - FC/APC, FC - FC connector, CL - Collimator, IS - Isolator

Information in this document is a subject to change without notice.



© 2017 Optromix Company, 2464 Massachusetts Ave., Suite 220,  
Cambridge, MA 02140, USA Phone: +1 617 558 9858  
e-mail: info@optromix.com  
web: www.optromix.com www.lasers4lab.com

