

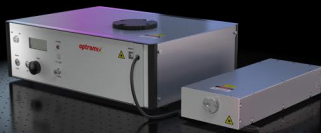
Optromix - QSY

DUV CW Single-Frequency Fiber Laser System

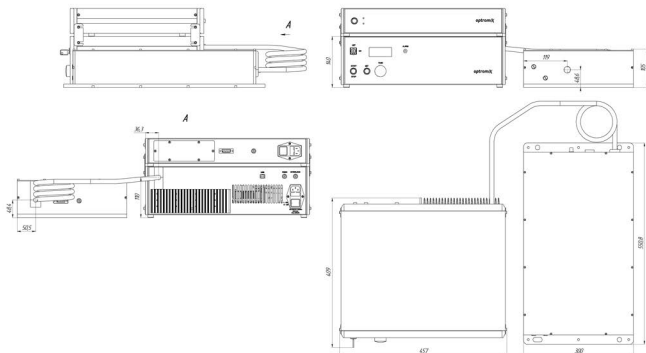
Wavelength: 257.5 nm, 266.0 nm, 273.2 nm

KEY FEATURES

- High Power & Wavelength Stability
- Air Cooling
- Low Power Consumption
- High Reliability
- Low Maintenance Cost



DIMENSIONS



Specifications Optical

Parameter	Optromix-QSY-2xx
Operating mode	CW, Single Frequency, TEM ₀₀
Central Wavelength	257.5 nm, 266.0 nm, 273.25 nm
Nominal Output Power	20 mW, 50 mW, 100 mW, 150 mW
Linewidth (FWHM)	< 400 kHz
Power Tunability	Available
Power Stability ¹	< 0.1% (typical <0.5%)
Wavelength Stability ²	< 500 MHz
Polarization	Linear (> 100:1), Vertical
Optical Output	Free Space (Laser Head)
Beam quality (M ²)	< 1.1 (typical <1.05)

Notes

1. Over 1 Hour with base temperature constant within 0.2 °C after 30 minute warm-up

2. Over 1 Hour with base temperature constant within 0.2 °C after 30 minute warm-up.

Electrical / Mechanical / Environmental

Parameter	Optromix-DSY
Power Supply Requirements	100 – 240 V, 50 – 60 Hz, Single Phase
Power Consumption (1W output)	< 500 W
Control Connector ¹	USB
Cooling	Forced Air
Dimensions (WxHxL)	Electro-optical Unit: 457 x 140 x 395 mm, Laser Head :300 x 105 x 550.8 mm Automatic Frequency Control Unit: 457 x 75 x 395 mm
Weight	< 40 kg
Operation temperature	Constant temperature within the range of 20 – 27 °C
Storage temperature (Excluding BBO crystal)	-30 – +50 °C
Operation Humidity	10 – 70 %
MTBF (Excluding the resource of BBO crystal)	> 6000 Hrs
Standard Umbilical Cable Length ²	1.2 m

Notes

1. Optional Connectors: RS232

2. Optional lengths: up to 3 m

Warranty: Standard Warranty - 12 months from the date of delivery.
The warranty does not apply to BBO crystal

Product code:
Optromix-QSY-2xx-yyy

xx Wavelength (nm)
yyy Output power (mW)



© 2017 Optromix Company, 2464 Massachusetts Ave., Suite 220,
Cambridge, MA 02140, USA Phone: +1 617 558 9858
e-mail: info@optromix.com
web: www.optromix.com www.lasers4lab.com

