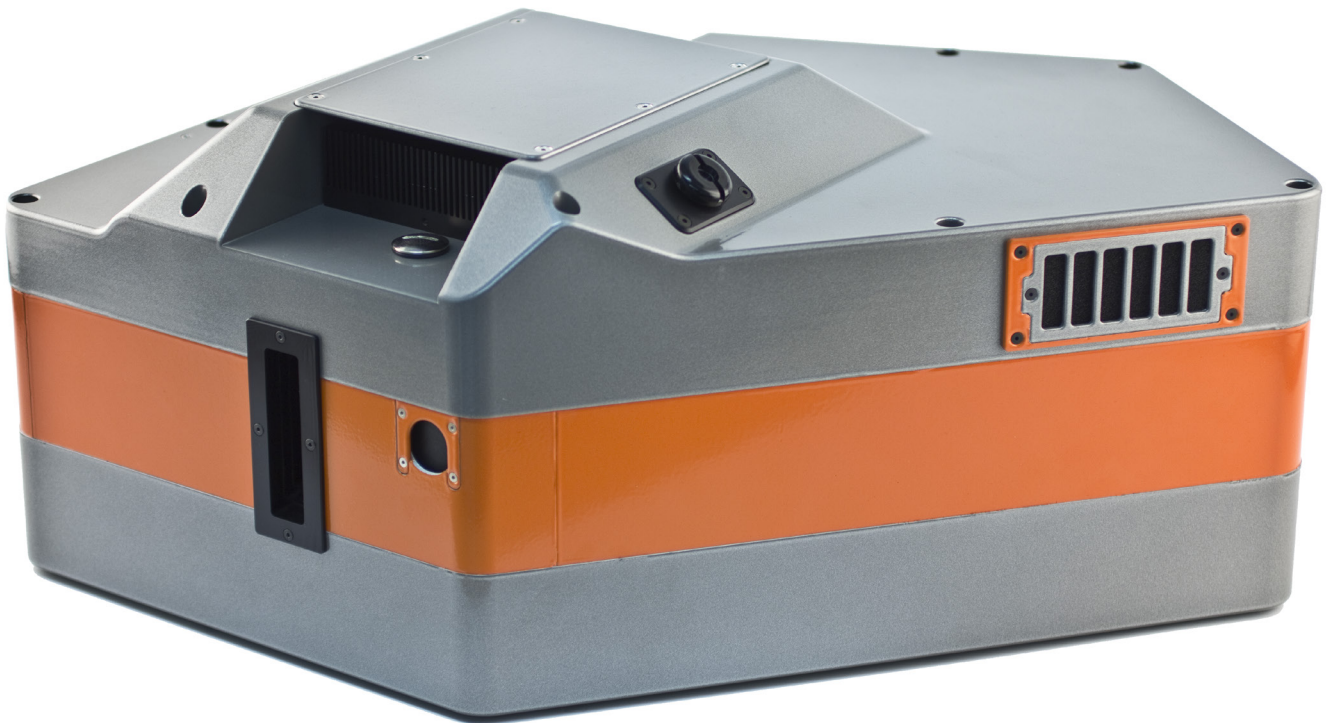


SPECIM



SPECTRAL IMAGING

AISAFENIX

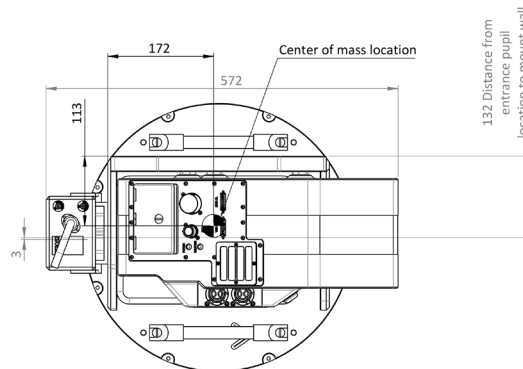
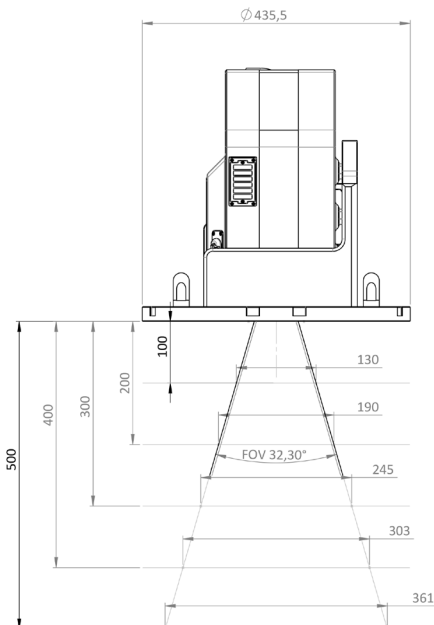


**FOR THE MOST DEMANDING
GEOLOGICAL, LAW ENFORCEMENT AND
ENVIRONMENTAL APPLICATIONS**

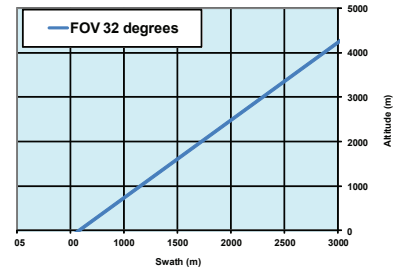
	VNIR			SWIR
Camera specifications				
Spectrograph	High efficiency transmissive imaging spectrograph			
Spectral range	380 - 970 nm			970 - 2 500 nm
Spectral resolution	3.5 nm			12 nm
F/#	F/2.4			
Smile / Keystone	< 0.2 pixels			
Polarization sensitivity	Throughput practically independent of polarization			
Signal-to-noise ratio (peak)	600 - 1 000:1 *			1 050:1
Spatial resolution	384 pixels			
Frame rate	Up to 100 Hz			
Integration time	Adjustable within frame period			
FOV	32.3°			
IFOV	0.084°			
Swath width	0.58 x altitude			
Altitude for 1m pixel size	660 m			
Electro mechanical shutter	Yes			
Detector	CMOS			Stirling cooled MCT
Spectral binning options	2x	4x	8x	-
Number of spectral bands	348	174	87	274
Spectral sampling / band	1.7 nm	3.4 nm	6.8 nm	5.7 nm
Data interface	CameraLink 12-bit			CameraLink 16-bit
Typical power consumption **	150 W			
Maximum power consumption **	500 W			
Environmental characteristics				
Storage temperature	- 20 ... +50 °C			
Operating temperature	+ 5 ... +40 °C, non-condensing			

*) Depends on spectral binning

**) Complete system with DPU



Swath width vs altitude from the ground



Ground pixel vs. altitude from the ground

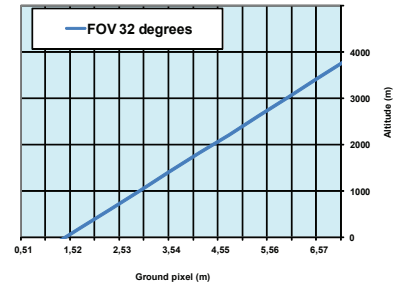


Image rate for square ground pixel @ aircraft speed 60 m/s (120 knots)

