

## BENCHTOP CT-SYSTEMS

When it is important to have a full CT-System on a limited space the benchtop-systems of PXR are the right choice! Even our smaller systems are custom build to the needs of your application.

This optimisation grants the best performance to minimum cost.

The benchtop family starts with the smallest system on the market - the CT-PORTABLE which is only 20 kg and easy to move where it is needed.

For larger specimen and higher kVs the CT-MINI gives you the highest flexibility in combination with the easiest possible operation.

If throughput is needed the CT-XPRESS is able to generate 65 Watts and finish a new scan every several seconds!

Finally the CT-COMPACT have all options of the larger floorstand-models like Helix, Measurement-field-Extension or many more.

All systems are equipped with micro-focus X-ray tubes capable of operation starting at 50 kV up to the limit of 200 kV depending on specific customer requirements. Our wide range of different detectors enables the systems to be state of the art for the specific application.

All benchtop systems are ideal for nondestructive testing, materials analysis, metrology, rapid prototyping, etc.



Aunion Tech Co.,Ltd

Floor 3, F Building, No. 86 Caobao road, Shanghai 200235 P.R. China

Tel: +86-21-51083793

Fax: +86-21-34241962

E-Mail: [info@auniontech.com](mailto:info@auniontech.com)

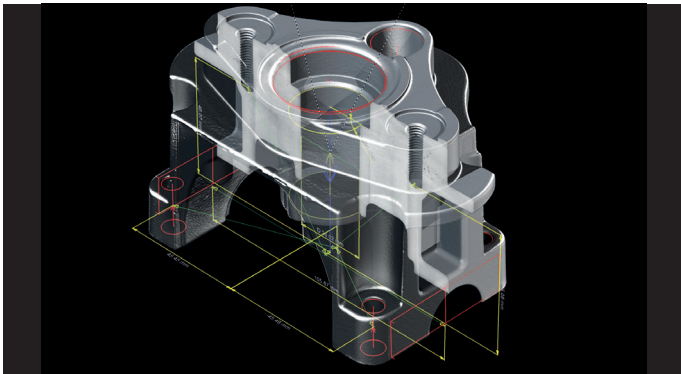
Website: [www.auniontech.com](http://www.auniontech.com)

## Features

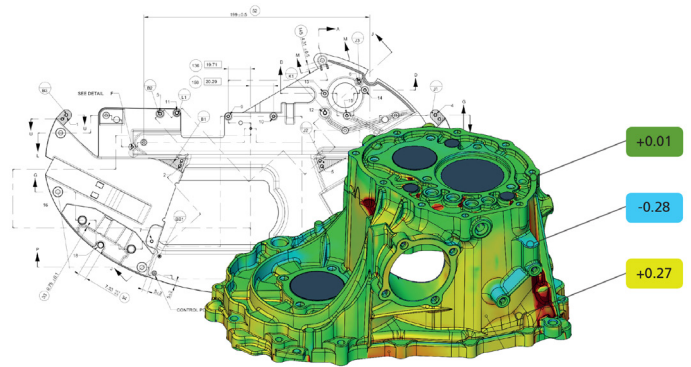
- ▶ Industrial X-ray Computed Tomography (CT)
- ▶ 3D volume CT
- ▶ Non-destructive testing (NDT) – 2D and 3D
- ▶ Quality control independent of material
- ▶ Defect recognition (voids, cracks, ...)
- ▶ Contactless metrology
- ▶ CT reconstruction in real-time
- ▶ Ring artefact suppression
- ▶ Easy operation
- ▶ Radiation safety better than 1  $\mu\text{Sv/h}$

## Specifications

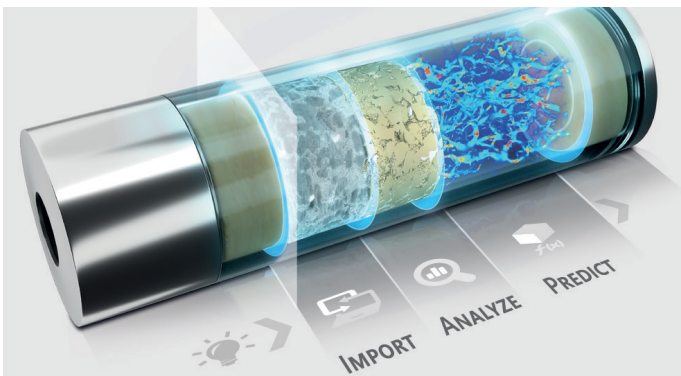
X-ray voltage	up to 200 kV
Detector	up to 16 MP
Scanspeed	< 10 seconds
Axes	up to 8
Spatial Resolution	5 $\mu\text{m}$ 0.4 $\mu\text{m}$ or COMPACTnano
System weight	20 kg for CT-PORTABLE



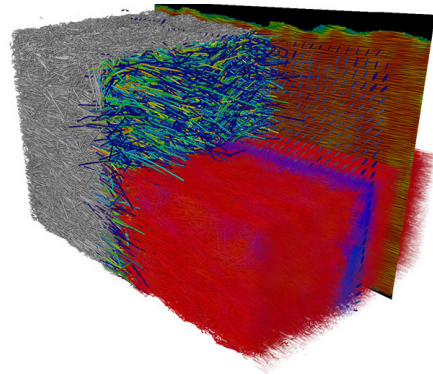
VG Studio MAX by Volume Graphics



GOM Inspect



GeoDict by Math2Market



Amira-Avizo (Courtesy of EMS Grivory)