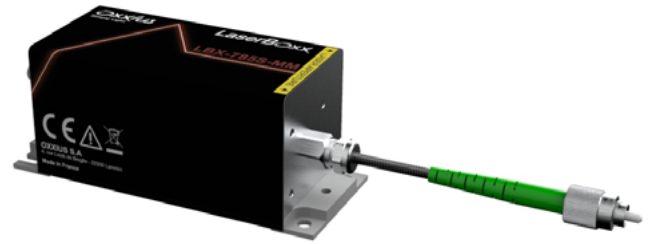


# LBX-785S-MM Laser Diode



## Optical characteristics

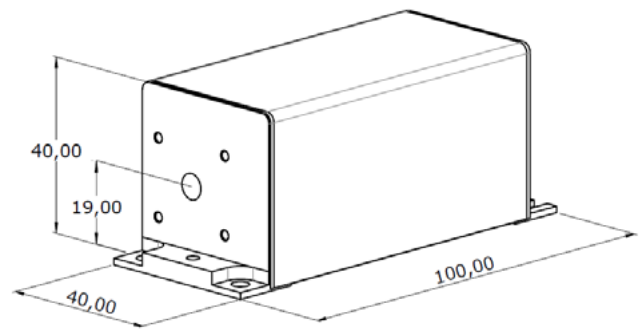
### Single frequency stabilized diode laser module

<b>Emission wavelength</b>	785 nm
<b>Wavelength range</b>	± 0.5 nm
<b>Wavelength stability</b> over 8 hours and within ±3k	< 70 pm
<b>Linewidth (FWHM)</b>	< 0.07 nm
<b>Side mode suppression</b>	> 35 dB
<b>Output power</b>	> 500 mW
<b>Spatial mode</b>	multimode
<b>Control mode(s)</b>	Automatic Current Control (ACC)
<b>Power stability</b> over 8 hours and within ±3k	± 1%
<b>Power adjustment</b>	0 - 100%
<b>Multimode fiber output</b>	105 µm 0.22 N.A FC / APC connector
<b>Fiber length</b>	40 cm (± 2)
<b>Fiber protection</b>	black reinforced 3 mm diameter furcation tubing

### — Plug and Play version provided with :

- ControlBoxx
- Power supply

## System Specifications



## Other options

- Heat sink

## General specifications

	Plug and Play version	OEM version
<b>Compliance</b>	CE FDA 21 CFR 1040.10/1040.1	FDA 21 CFR 1040.10 / 1040.11
<b>Operating temperature</b>	10 - 38°C ambient air with optional heat sink	15 - 45°C baseplate
<b>Power consumption</b>	≤ 25 W	≤ 10 W
<b>Storage temperature</b>	0 to 60°C	
<b>Supply voltage</b>	100 to 240 VAC external power supply	5 to 12 VDC
<b>Warm-up time</b>	≤ 10 minutes	
<b>Interfaces</b>	USB, RS-232, dedicated electronic interface	

Warranty : 12 months from shipment date



## CONTACT US

Oxxius S.A  
4 rue Louis de Broglie  
F-22300 Lannion, France

Phone : +33 296 48 70 28  
sales@oxxius.com  
www.oxxius.com