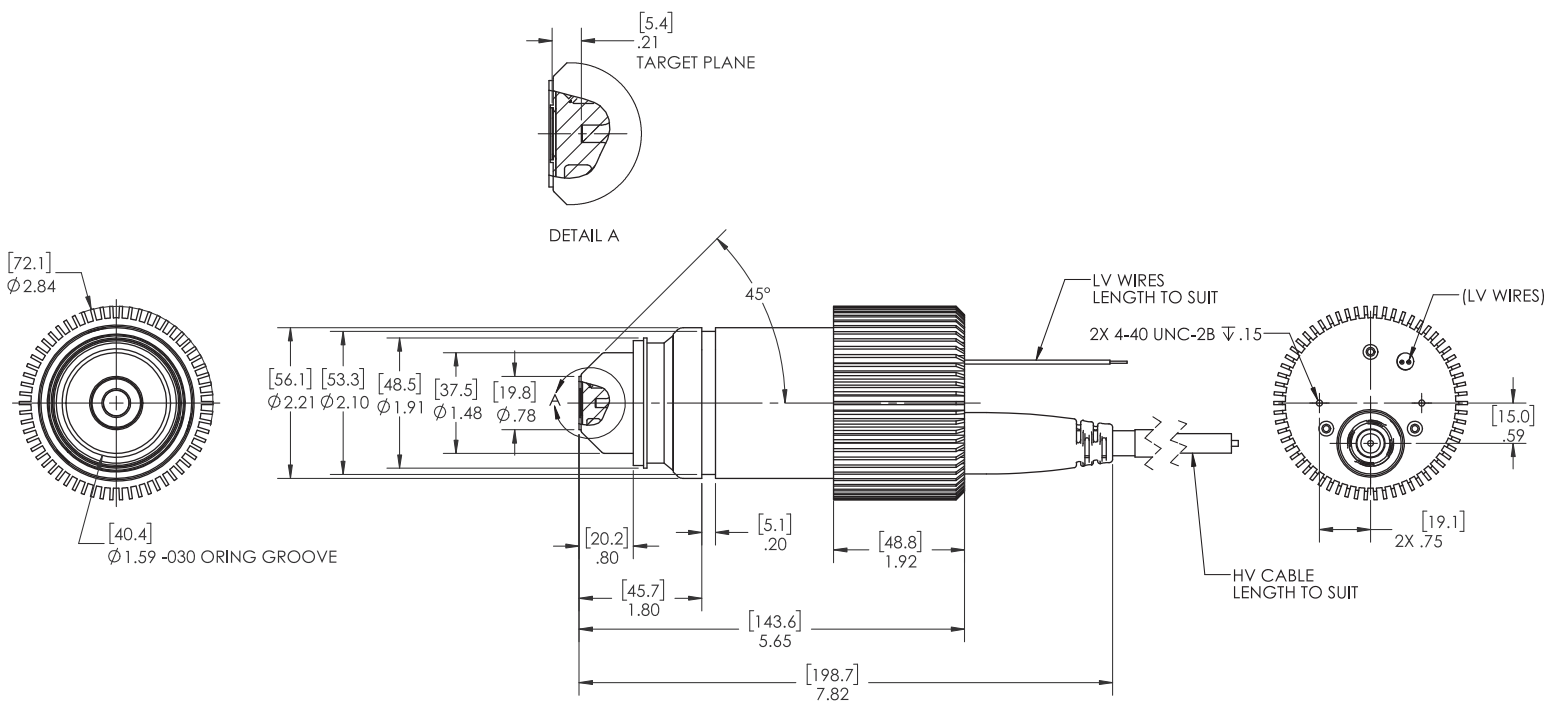




The LightBright is an end window X-ray tube designed for customers that require maximum flux, short FOD and a wide beam angle. The large heat sink directly coupled to the anode provides efficient heat transfer enabling continuous high current operation, and the optimized filament design provides full beam current down to 4kV without sacrificing tube life. The integrated Mammoflex® HV cable and LV cables allow for easy connection to a standard HV power supply.



SPECIFICATIONS

Voltage Range	4-50 kV
Maximum Power	50 W standard, 100 W heatsink available on request
Maximum Beam Current	11.0 mA
Beam Angle	75°
Maximum Filament Current	1.7 A
Focal Spot	1000 μ m
Be Window Thickness	50 μ m standard, 127 μ m available on request
Target Materials	W, Rh, Pd, Ag, others upon request

GENERAL

Control of high voltage and filament current, as well as the design of the cooling system and the radiation protection, are the responsibility of the customer. Careful selection of power supply should ensure that the X-ray tube will be protected against overcurrent, overvoltage and lack of cooling. Otherwise the tube and/or the radiation protection may be damaged and become a hazard.

RADIATION PROTECTION

The responsibility for radiation protection is with the user. Compliance with local regulatory requirements and limit values must be ensured.