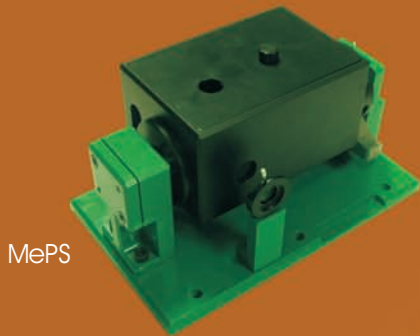


MePS*

(Mechanical Polarization Switch) a broadband high power polarization rotator



MePS

Features

- Switching between two polarization states
- Broadband UV, visible, near-IR or IR
- High-power capability
- Large aperture
- Excellent transmission
- Excellent extinction ratio
- Excellent for ultrashort pulses and extreme wavelengths

The device is based on the principle of the simple polarization rotating periscope. Using a flip mirror and 90° rotation of the device, the polarization and the

orientation direction of the beam profile of almost any type of laser can be changed by 90° without affecting the optical path length. The standard 1"-diameter mirrors

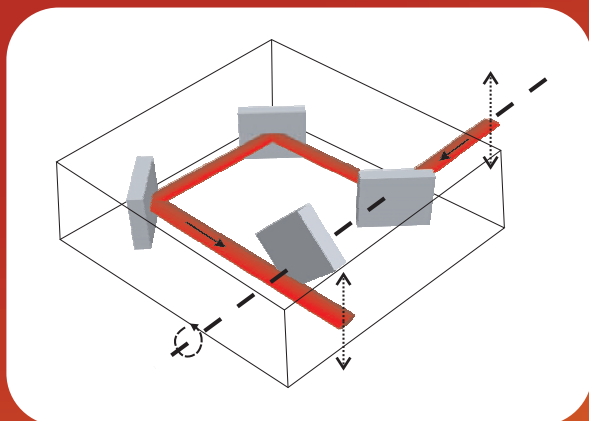
are replaceable to adapt to different wavelength ranges and wavelength discrimination can be achieved using dichroic optics.

Specifications

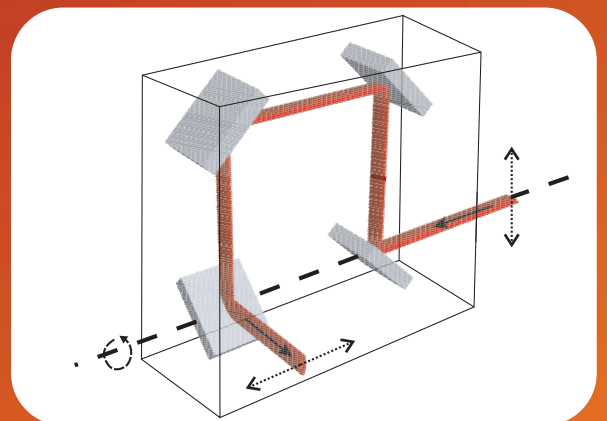
Repeatability:	< 0.1 mrad
Polarization purity:	> 10 ⁶
Clear aperture beam diameter in mm ¹⁾ :	8
Wavelength range in μm ²⁾ :	0.15 – 20 μm
Transmission ²⁾ :	> 99 %
Wavefront distortion ²⁾ :	< λ/10
Damage threshold ²⁾ :	cw: 1 MW/cm ² ; pulsed: 20 J/cm ²
Dimension of the rotating head in mm (L×W×H)	142 × 82 × 65
Outer dimensions in mm (L×W×H)	200 × 120 × 130

¹⁾: Larger beam diameters available upon request.

²⁾: Depends on the mirror set.



Polarization maintaining position



Polarization rotating position

*: Patent pending.



Phone: 021-34241961

Fax: 021-34241962

E-mail: info@auniontech.com



CE Optics Kft.

Kigyó utca 4, H-6720 Szeged, Hungary

phone: +36 30 / 716 30 24

fax: +36 62 / 34 37 49

info@ceoptics.hu

www.ceoptics.hu