

specification | display applications



# cronus

spectrometer & colorimeter



上海奥量光电技术有限公司 | Phone: 400-858-532 WeChat: Auniontech Website: [www.auniontech.com](http://www.auniontech.com) E-mail: [info@auniontech.com](mailto:info@auniontech.com)



## Contents

1	Cronus: the first spectro- and colorimeter in one .....	3
2	Highlights.....	3
3	Cronus general specifications .....	4
4	Cronus 20mm specifications .....	5
5	Cronus 20mm dimensions .....	6

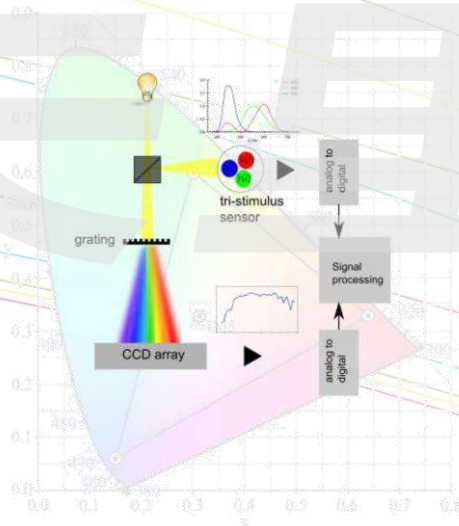
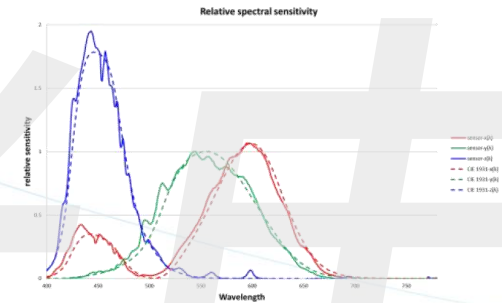
昊量光电



## 1 Cronus: the first spectro- and colorimeter in one

The Cronus is world's first spectro-colorimeter combining a high end VIS spectrometer with a high speed XYZ colorimeter. This allows the user to vary between the high-speed colour and flicker measurements of the colorimeter and the high accuracy and detailed colour information of the spectrometer.

The Cronus is tailored for display applications where the combination of speed and accuracy is needed in for example flicker measurements. The Cronus is available in a Fixed Optics and Fiber Optics version. Just as our other products it is developed with an industrial use in mind combining ease of use, minimal calibration needs, high-speed measurement capabilities with a compact and robust design. The Cronus offers laboratory results with a workforce attitude.



## 2 Highlights

- Spectral range 380-780nm
- Spectral output or colour values output are both possible
- Luminance range of 0.05 cdm<sup>2</sup> to 6000 cd/m<sup>2</sup>
- High speed flicker measurements: 50.000 samples/second
- Auto-range function
- Mechanical shutter
- Excellent linearity
- Dark current compensated
- USBTMC compliant, SCPI command set, high speed device
- Numerous interfaces, ideal for system integration
- All spectral and flicker calculations are done inside





### 3 Cronus general specifications

Spectral measurement system			
Spectral range	380-780nm		
Optical resolution (FWHM)	2.3nm		
Integration time	2.5ms – 20s		
Stray light	<0.03%		
Non - Linearity	<1%		
Colorimeter measurement system			
Photo detector	Silicon photo diode using XYZ interference filters		
Spectral response	Approximates CIE 1931 colour matching functions		
Integration time	1ms – 7s		
Flicker measurement speed	Luminance up to 50.000 samples per second		
System configurations			
Working distance versus spot size 20mm	50mm 22mm	100mm 24.5mm	150mm 27mm
Acceptance angle	+/- 2.1 degrees		
Interfaces	High speed USB, RS232, Ethernet, Trigger connections		
Weight	1200 gram		
Size (HxWxD)	137 x 88 x 74mm (without lens system)		
Shutter lifetime	>1000000		
Shutter speed	70ms-120ms (close or open time, depending on temperature and lifetime)		
Operating temperature	10-35°C		
Power consumption	1750mW (USB powered)		



## 4 Cronus 20mm specifications

Measurement parameters spectral part			
Luminance range	0.05 – 6000 cd/m <sup>2</sup>		
Wavelength accuracy	+/- 0.5nm		
Luminance accuracy (meas. at std. ill. A)	+/- 4%		
Colour accuracy <i>xy</i> (meas. at std. ill. A)	+/- 0.002		
Repeatability <sup>1 2 3</sup>			
Luminance level	Luminance (2 sigma)	Colour (2 sigma)	Measurement time (ms)
250cd/m <sup>2</sup>	< 0.3%	+/- 0.0005	50
10cd/m <sup>2</sup>	< 0.5%	+/- 0.0005	1000
1cd/m <sup>2</sup>	< 3%	+/- 0.002	2000
0.25cd/m <sup>2</sup>	< 3%	+/- 0.002	5000
Measurement parameters colorimeter part			
Luminance range	0.05 – 6000 cd/m <sup>2</sup>		
Wavelength accuracy	+/- 0.5nm		
Luminance accuracy. <sup>4</sup> (meas. at std. ill. A)	+/- 0.5%		
Colour accuracy <i>xy</i> <sup>4</sup> (meas. at std. ill. A)	+/- 0.0005		
Flicker accuracy (Jeita)	+/- 3% Flicker frequency 30Hz AC/DC 10% sine wave at 10cd/m <sup>2</sup> or higher		
Flicker accuracy (Contrast)	+/- 3dB Flicker frequency 30Hz AC/DC 10% sine wave at 10cd/m <sup>2</sup> or higher		
Repeatability <sup>1 2 3</sup>			
Luminance level	Luminance (2 sigma)	Colour (2 sigma)	Measurement time (ms)
250cd/m <sup>2</sup>	< 0.2%	+/- 0.0005	17
10cd/m <sup>2</sup>	< 0.2%	+/- 0.0005	150
1cd/m <sup>2</sup>	< 1%	+/- 0.002	500
0.25cd/m <sup>2</sup>	< 3%	+/- 0.005	500

<sup>1</sup> Speed and repeatability are directly related to each other, a lower repeatability can increase speed and vice versa.

<sup>2</sup> Data is without the auto-range function, auto-range will add additional time.

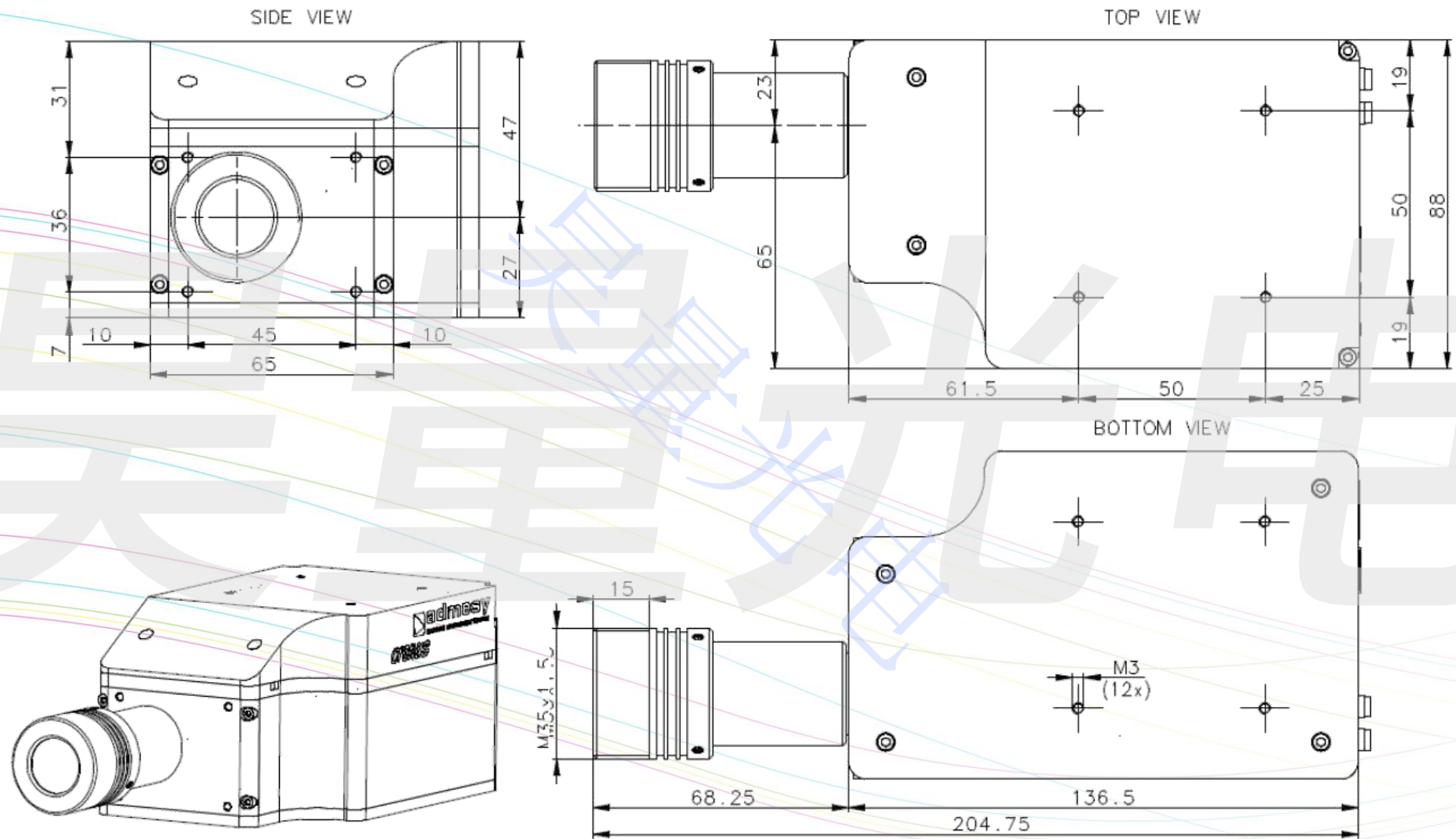
<sup>3</sup> Measurements are performed on a LED backlight LCD screen.

<sup>4</sup> Compared with spectral part of the Cronus and after calibration.

Note: Specification is subject to change without notification. No legal rights can be derived from this specification.



## 5 Cronus 20mm dimensions





# 昊量光电

Admesy B.V.  
Sleestraat 3  
6014 CA Ittervoort  
The Netherlands

**Aunion Tech Co.,Ltd**

**1850-166-2513**

**021-510-83793**

T +31 (0)475 600 232  
F +31 (0)475 600 316

[info@auniontech.com](mailto:info@auniontech.com)

[www.auniontech.com](http://www.auniontech.com)

[www.admesy.com](http://www.admesy.com)  
[info@admesy.com](mailto:info@admesy.com)

The material in this document is subject to change. No rights can be derived from the content of this document. All rights reserved. No part of this document may be reproduced, stored in a database or retrieval system, or published in any form or way, electronically, mechanically, by print, photo print, microfilm or any other means without prior written permission from the publisher.

Version 1.0.6

04/2017