

DYNAMIC OPTICS

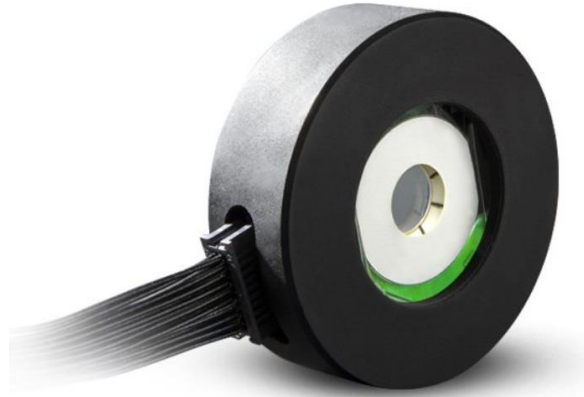
AOL 1810

Specification sheet

Dynamic Optics S.r.l. | P.IVA 02527820209 |
Strada circonvallazione Sud 15, 46100, Mantova, Italy

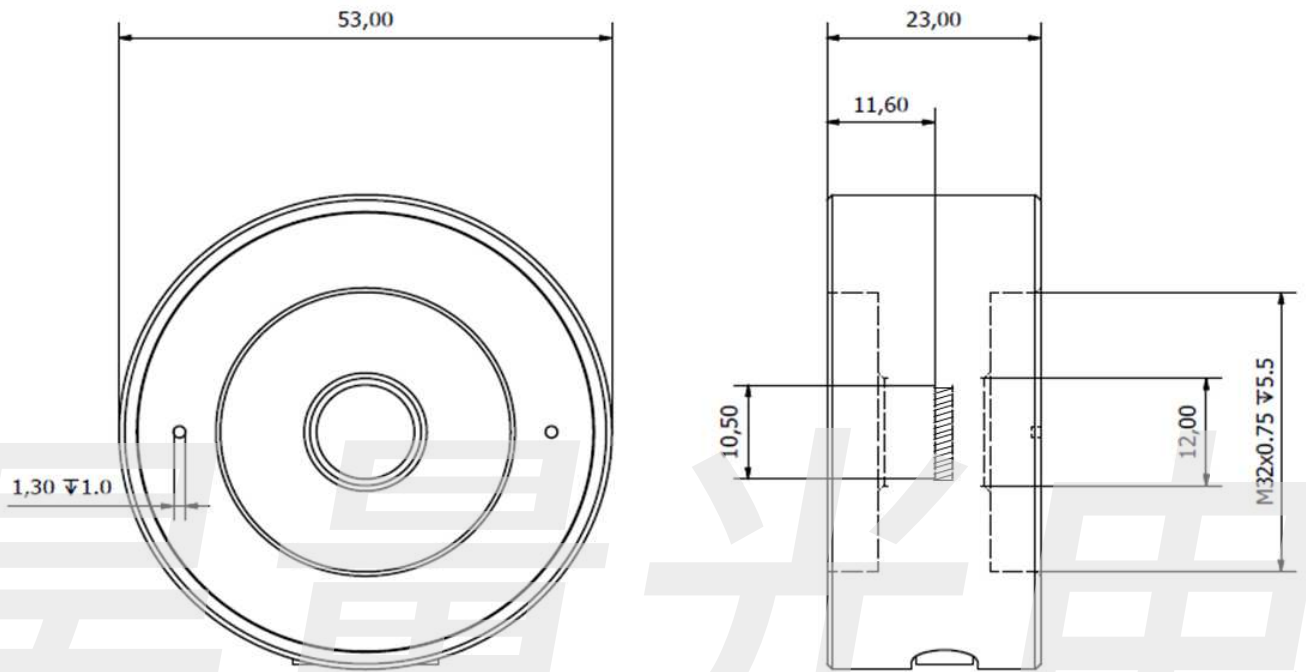
上海昊量光电设备有限公司 Phone: 4006-888-532 WeChat: Auniontech Website: www.auniontech.com E-mail: info@auniontech.com

III SPECIFICATION



AOL1810	
Clear aperture	10.50mm (Also available 5mm, 16mm 25mm)
Diameter	53.00mm
Height	23.00mm
Thickness in the clear aperture	3mm

III TECHNICAL DRAWINGS

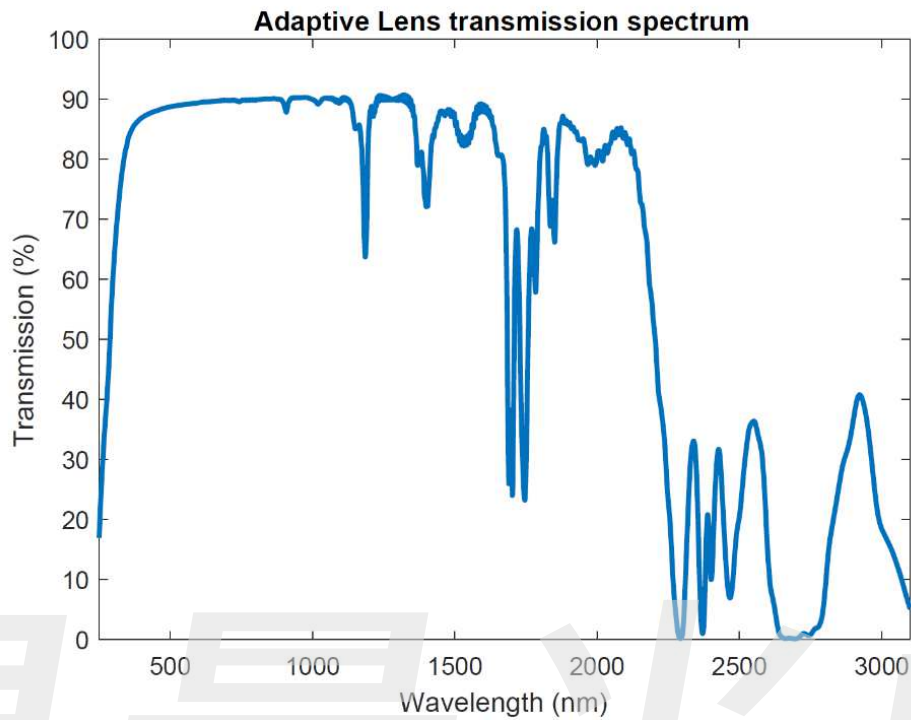


AOL1810.

Zernike Polynomials generation in closed loop (10mm aperture lens, 1wave=0.633nm):

Aberrations (Typical values)	Peak to Valley (waves@633nm)	rms (waves@633nm)
Tip	20	5.5
Tilt	20	5.5
Vertical Astigmatism	11	2.5
Defocus	8	2.7
Oblique Astigmatism	11	3.0
Vertical Trefoil	7	1.4
Vertical Coma	3.5	0.7
Horizontal Coma	3.5	0.7
Oblique Trefoil	7	1.3
Vertical Quadrifoil	4	0.7
Vertical Secondary Astigmatism	1	0.2
Horizontal Secondary Astigmatism	1	0.2
Oblique Quadrifoil	4	0.7

Transmission spectrum (uncoated surfaces):



Typical Response time (single actuator): <3ms

