

Optromix - DSE

CW Single-Frequency Fiber Laser

Wavelengths Standard 775 nm, 778 nm, 780 nm
Custom: 765-790 nm

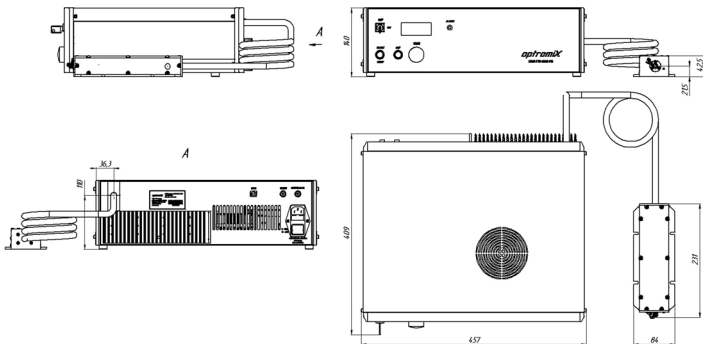
KEY FEATURES

- Ultra-Narrow Linewidth
- High Beam Quality
- Thermal Wavelength Tuning
- Fast Piezo Tuning
- Low RIN Level
- Computer Control



昊量光电

DIMENSIONS



Specifications

Optical

Parameter	Optromix-DSE-7xx
Operating mode	CW, Single Frequency, TEM00
Central Wavelength ¹	775 nm, 778 nm, 780 nm
Nominal Output Power	50mW, 100mW, 200mW, 500mW, 1000mW
Linewidth (FWHM) ²	<10 kHz (typical < 5kHz)
Power Tunability	10 – 100%
Power Stability ³	< 0.5% (typical <0.2%)
Wavelength Stability ⁴	< 200 MHz
Pointing Stability	< +/- 0.5 μ rad/°C
Thermal Tuning Range	+/- 80 pm
Piezo Tuning Range ⁵	+/- 15 pm
Optical Output ⁶	Free Space (Laser Head)
RIN level (peak: app 1.4 MHz)	< -120 dB/Hz@0.3MHz < -105 dB/Hz@peak, < -140 dB/Hz@10MHz
Beam quality (M ²)	< 1.05 (typical <1.02)
Beam Diameter ⁷	0,7 mm
Beam divergence ⁸	< 2 mrad

Notes

- | | |
|---|--|
| <ol style="list-style-type: none"> 1. 7xx-0 nm +/- 0.3 nm by demand. Custom wavelengths 767 – 785 nm. 2. Custom Linewidth < 1 kHz 3. Over 1 Hour with base temperature constant within 0.2 °C after 30 minute warm-up 4. Over 1 Hour with base temperature constant within 0.2 °C after 30 minute warm-up. | <ol style="list-style-type: none"> 5. External PZT Driver 0-120V, modulation up to 100 kHz 6. Optional Output: Fiber Port 7. 0.5 - 1.0 mm by demand 8. By demand (Depending on the required beam diameter) |
|---|--|

Electrical / Mechanical / Environmental

Parameter	Optromix-DSE-7xx
Power Supply Requirements	100 – 240 V, 50 – 60 Hz, Single Phase
Power Consumption (1W output)	< 500 W
Control Connector ¹	USB
Cooling	Forced Air
Dimensions (WxHxL)	Electro-optical Unit: 449 mm x 140 mm x 365 mm, Head: 84 mm x 42 mm x 229 mm
Weight	< 20 kg
Operation temperature	10 – 35 °C
Storage temperature	- 40 – +70 °C
Operation Humidity	10 – 85 %
MTBF	> 10,000 Hrs
Standard Umbilical Cable Length ²	1.2 m

Notes

- | | |
|---|--|
| <ol style="list-style-type: none"> 1. Optional Connectors: RS232, Ethernet | <ol style="list-style-type: none"> 2. Optional lengths: up to 5 m |
|---|--|

Warranty: Standard Warranty - 12 months from the date of delivery.

Product code:

Optromix-DSE-7xx-yyyy-cc

xx	Wavelength (nm)
yyyy	Output power (mW)
cc	Optical output: FS - free space, FP-Fiber Port

optromix

上海昊量光电设备有限公司

© 2017 Optromix Company 2464 Massachusetts Ave., Suite 220,
Cambridge, MA 02140, USA Phone: +1 617 558 9858
e-mail: info@optromix.com

Website: www.optromix.com www.lasers4u.com

Website: www.auniontech.com Email: info@auniontech.com

