

Optromix - SFY

CW Single-Mode 1 μm Fiber Laser

Central Wavelength Standard: 1030, 1093 nm
Custom: Any within the range 1030 – 1110 nm

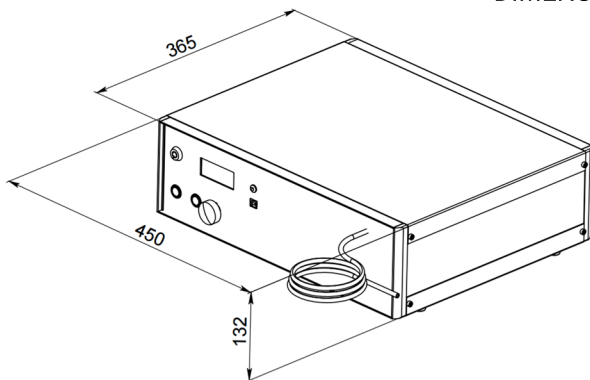
KEY FEATURES

- Ultra Narrow Linewidth
- High Power Stability
- High Beam Quality
- Thermal Wavelength Tuning
- Computer Control



昊量光电

DIMENSIONS



Specifications

Optical

Parameter	Optromix-PME	Optromix-SME
Operating mode	CW, Single Frequency, TEM ₀₀	
Central Wavelength ¹	1030 nm, 1093 nm	
Linewidth (FWHM) ²	< 100 kHz (typical < 70 kHz)	
Nominal Output Power	0.05, 0.1, 0.2, 0.5, 1, 2, 5, 10, 15 W	
Power Stability ³	< 1% (typical < 0.5%)	
Beam quality (M ²)	< 1.05 (typical < 1.02)	
Piezo Tuning Range ⁴	+/- 15 pm	
Thermal Tuning Range	+/- 0.15 nm	
Polarization	Linear (PER > 23 dB)	
Optical Output ⁵	Armed Fiber with a Collimator or Isolator	
RIN level (peak: app 1.4 MHz)	< -110dB/Hz@peak, < -140dB/Hz@10MHz	
Output Power Tunability	10 – 100%	

Notes

1. 10**.* nm. by request, Custom wavelengths 1030 – 1110 nm.
2. Custom Linewidth < 15 kHz
3. Over 1 Hour with base temperature constant within 0.2 °C after 30 minute warm-up

4. Option, External PZT Driver 0-120V
5. Optional output: Bare Fiber, FC or FC/APC connector (= 2W output)

Electrical / Mechanical / Environmental

Parameter	Optromix-DSE
Power Supply Requirements	100–240V, 50–60Hz, Single Phase
Power Consumption (10W output)	< 500 W
Control Connector ¹	USB
Cooling	Forced Air
Dimensions (WxHxL)	≥ 2 W output: 450 mm x 132 mm x 365 mm < 2 W output: 450 mm x 95 mm x 365 mm
Weight	< 18 kg
Operation temperature	10 – 35 °C
Storage temperature	- 40 – +70 °C
Operation Humidity	10 – 85 %
MTBF	> 10,000 Hrs
Standard Patch Cord Length ²	1.2 m

Notes

1. Optional Connectors: RS232, Ethernet

2. Optional length: Up to 5 m

Warranty: Standard Warranty - 12 months from the date of delivery.

Product code:

Optromix-SFY-1xxx-yyyyy-cc

xx Wavelength (nm)
 yyyy Output power (mW)
 cc Optical output: FA - FC/APC, FC - FC connector, CL - Collimator, IS - Isolator

Information in this document is a subject to change without notice.

optromix

上海昊量光电设备有限公司

© 2017 Optromix Company, 2464 Massachusetts Ave., Suite 220,
 Cambridge, MA 02140, USA Phone: +1 617 558 9858
 e-mail: info@optromix.com

Website: www.optromix.com



Website: www.auniontech.com Email: info@auniontech.com