

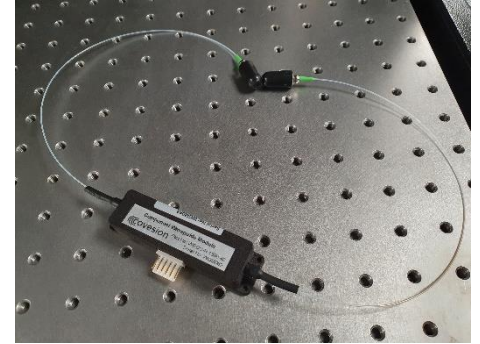
# Component Fibre in Fibre out Waveguide WGCO-H-1560-40

Version 3.0/2021

## Covesion's Fibre-coupled (input and output) component waveguide for CW Second Harmonic Generation (SHG)

Designed for both OEMs and Researchers who need  
greater than 35mW output power

- A reliable way of 1558nm -1562nm pumped SHG
- Robust with long lifetime
- Maximum input power up to 3.5W
- Simple to use
- Compatible with existing OC2 and OC3 Temperature controllers



### Specification

Non-Linear Interaction	Type 0
Input wavelength range for SHG [nm]	1558-1562
Output wavelength range [nm]	779-781
Temperature tuning range from ambient [° C]	30 to 70
CW pump launch required for 1W SHG output [W]	3
CW SHG output @3W Input [W]	>1
Typical module efficiency (@3W in) [%]	>33
Fiber connector	PM-FC-APC
Connector Keyway Alignment	Slow Axis
Weight [g]	100
Dimension (Excluding Connector) [mm]	87 x 22 x 17

Contact us to discuss availability and pricing

Email [sales@covesion.com](mailto:sales@covesion.com)  
Phone +44 (0)1794 521 638  
Web [www.covesion.com](http://www.covesion.com)

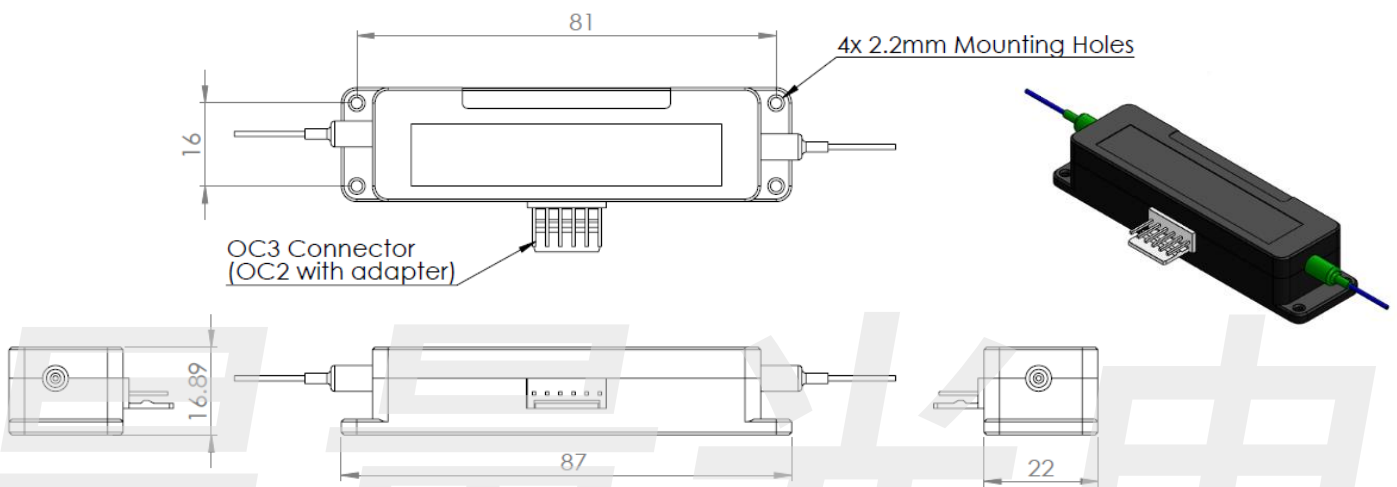


# Component Fibre in Fibre out Waveguide WGCO-H-1560-40

Version 3.0/2021

## Covesion's Fibre-coupled (input and output) component waveguide for CW Second Harmonic Generation (SHG)

Designed for both OEMs and Researchers who need  
greater than 35mW output power



### Accessories

OC3 Temperature Controller

Fibre patchcord pack specifically matched to the output fibre

Component WG module to OC2 adapter kit



Contact us to discuss availability and pricing

Email [sales@covesion.com](mailto:sales@covesion.com)  
Phone +44 (0)1794 521 638  
Web [www.covesion.com](http://www.covesion.com)

 **covesion**