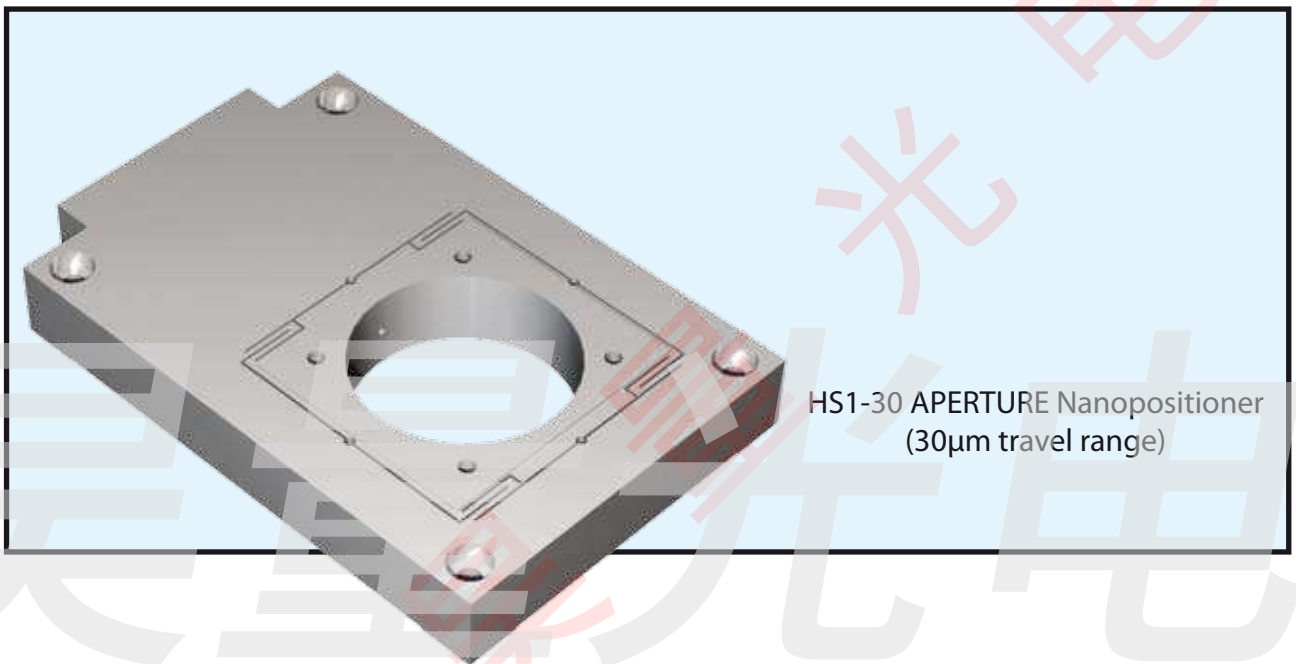


# HS1-APERTURE NANOPositionER

The HS1-APERTURE is a compact nanopositioner which can be combined to form 2 or even 3-axis nanopositioning systems. It is offered with 30, 50 or 70 $\mu$ m of range of motion and has a central aperture of 33mm, making it ideal for optical microscopy applications.

This nanopositioner is part of our high-speed product line (High power controller available).



HS1-30 APERTURE Nanopositioner  
(30 $\mu$ m travel range)

## Features

- High speed, direct drive
- Diameter of the aperture : 33mm
- Stackable for XY or XYZ motion
- 30, 50 or 70 $\mu$ m motion
- Closed loop control
- Silicon sensor technology
- Less than 10pm noise floor

## Applications

- Interferometry
- Nanolithography
- 3D polymerisation
- High speed focusing
- Adaptative optics

# Specifications

	HS1.30 APERTURE	HS1.50 APERTURE	HS1.70 APERTURE
Range of motion (μm)	30	50	70
Resolution (nm)	0,03	0,05	0,07
Typical noise floor (nm)	0,003	0,005	0,007
Full range repeatability (nm)	0,06	0,1	0,14
Linearization (typical)	0,02%	0,02%	0,02%
Resonant frequency (Hz)	4000	4000	4000
Stiffness (N/μm)	3	3	3
Maximum load (kg) - horizontal use	1	1	1
Maximum load (kg) - vertical use	0,5	0,5	0,5
Sensor	Silicon HR sensor	Silicon HR sensor	Silicon HR sensor
Size W x L x H (mm)	62,5 x 96,10 x 12,6	62,5 x 116,10 x 12,6	62,5 x 138,10 x 12,6
Material	Al	Al	Al
Cable length (m)	2	2	2
Recommended Controller	Standard or High Speed	Standard or High Speed	Standard or High Speed

# Drawing

