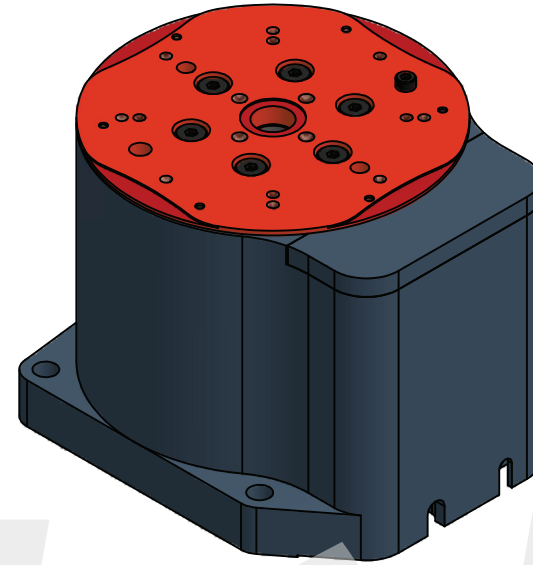
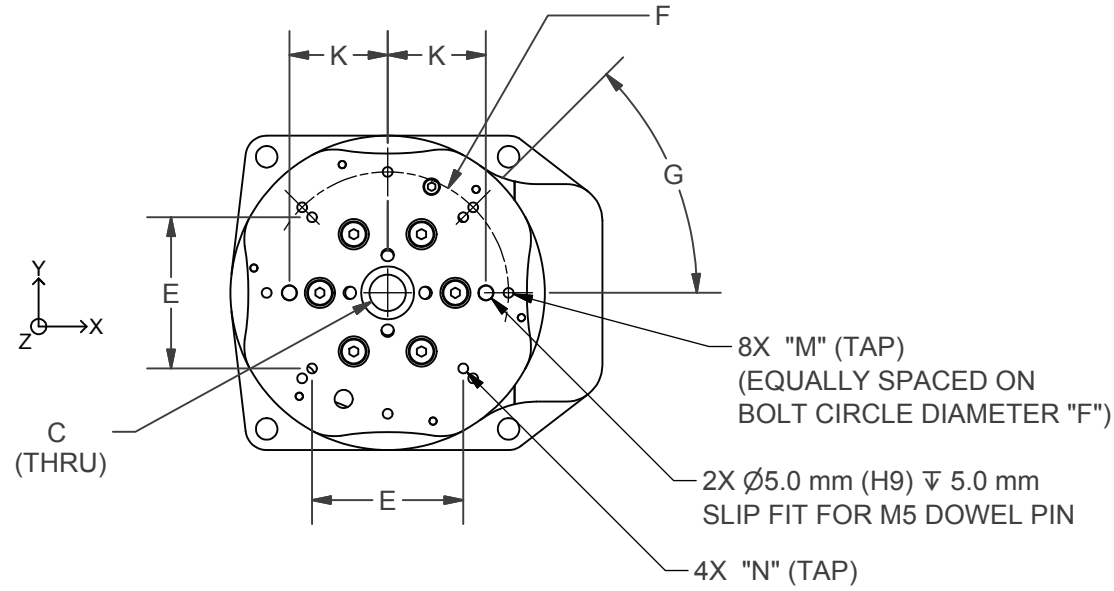
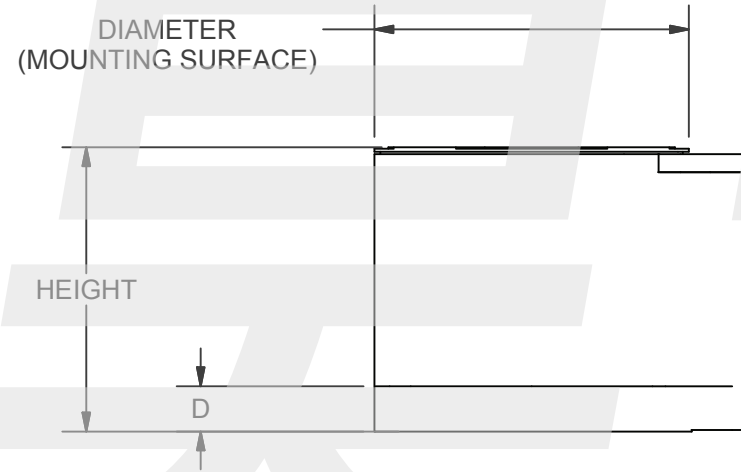




4 3 2 1

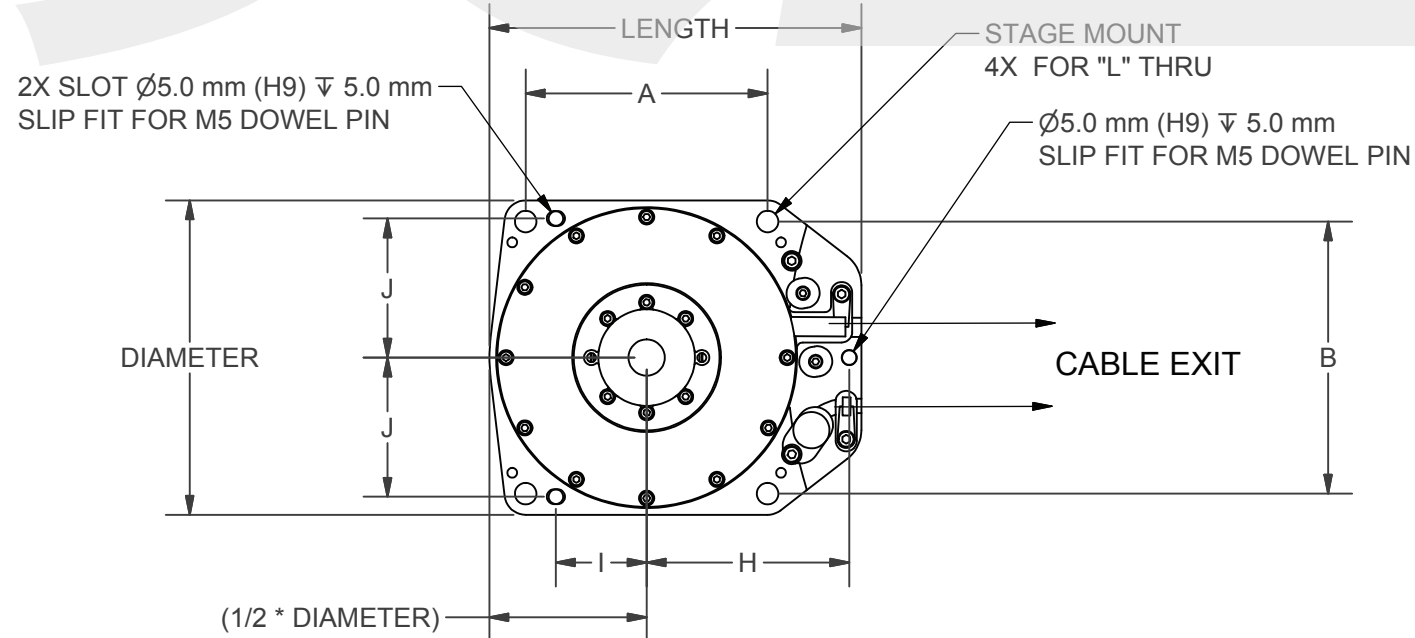


STANDARD FEATURES	
Stage	Rotary Stage
Travel	360 Degrees Continuous
Motor	Frameless Direct Drive Motor
Feedback	Non-Contact Optical Encoder
Scale	20um Pitch Stainless Steel Ring
Resolution	1Vp-p Analog Output (see specifications) Digital Output Options: (see specifications)
Runout	Axial: < +/-1 um Available (see specifications) Radial: < +/- 1 um Available (see specifications)
Sensors	Integrated Home Mark
Bearings	Porous Media Air Bearing
Cables	High Flex, 10M Cycle, 3m Length
Structure	Anodized Aluminum 6061-T6 Optional: Stainless Steel
Environment	Standard Optional: Clean Room
Temperature	0°C to 50°C
Humidity	10% to 80% Non-Condensing
Precision	6-D Nano Precision™ Test Methods



DIAMETER	HEIGHT**	LENGTH	A	B	C	D	E	F	G (degrees)	H	I	J	K	L	M	N
104	94	123	80	90	32	15	50	80	0	67	30	46	32.5	M6 or 1/4-20	M4	M4

* All units millimeters unless otherwise noted.
* All hole patterns centered on thru hole at center of stage diameter.
* Additional sizes available upon special request.



ALIO INDUSTRIES PROPRIETARY INFORMATION
(Tel) 303.339.7500 - SALES@ALIOINDUSTRIES.COM - WWW.ALIOINDUSTRIES.COM

DRAWN	NBROWN	5/12/2012
CHECKED		
Tolerances: Surface Roughness: x.x ± .05 in [1.3 mm] x.xx ± .01 in [0.25 mm] x.xxx ± .005 in [0.13 mm] ✓ RMS MAX. Angles ± 0.5°		
MATERIAL		
FINISH	SEE NOTES	

TITLE		
AI-TM-(DIAMETER)R-AB		
SIZE	DWG NO	REV
B	0010-08011	001

4 3 2 1