

昊量光电



Aunion Tech Co.,Ltd

1850-166-2513 021-510-83793

info@auniontech.com www.auniontech.com

IL1
Quartz Tungsten Halogen
Light Source

昊量光电有限公司 Phone: 400-006-032 Wechat: Auniontech Website: www.auniontech.com E-mail: info@auniontech.com

IL1 QTH Source

The IL1 is a general-purpose light source for use in the UV, visible and infra-red spectral regions from 350nm to 2.5mm.

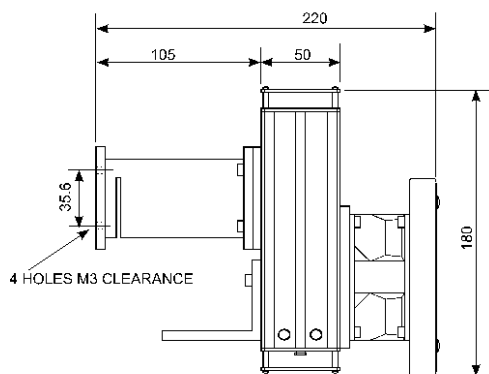
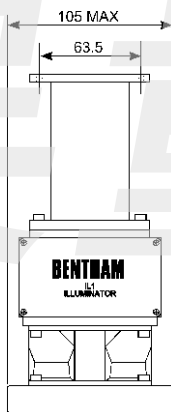
A 100W quartz halogen lamp controlled by a current stabilised power supply is employed.

A single quartz condenser lens is used to fill the height and width of the slit and to match to the F/4 optics of the monochromator.

The quartz halogen lamp is unsurpassed for stability by any other source and should always be used where it provides sufficient output in the wavelength region of interest.



610 constant current power supply



Mechanical

Lamp	100W quartz halogen
Horizontal adjustment	Via screw slide
Vertical adjustment	Via slackening nuts in T-slots
Lens	Single quartz condenser lens, adjustable focus
Power leads	1m long with spade terminals provided

Electro-optical

Peak irradiance	1.3mW cm ⁻² nm ⁻¹ at 880nm
Stability of light output	Better than 0.1% over 8-hour period (when used with 610 PSU)



Aunion Tech Co.,Ltd