

# LBX-785S-MM Laser Diode



## Optical characteristics

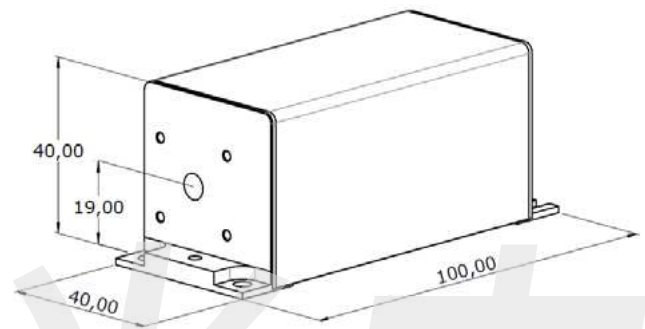
### Single frequency stabilized diode laser module

|   |   |
|---|---|
| Emission wavelength                                 | 785 nm  |
| Wavelength range                                    | ± 0.5 nm  |
| Wavelength stability<br>over 8 hours and within ±3k | < 70 pm   |
| Linewidth (FWHM)                                    | < 0.07 nm                                       |
| Side mode suppression                               | > 35 dB   |
| Output power  | > 500 mW  |
| Spatial mode  | multimode                                       |
| Control mode(s)                                     | Automatic Current Control (ACC)                 |
| Power stability<br>over 8 hours and within ±3k      | ± 1%  |
| Power adjustment                                    | 0 - 100%  |
| Multimode fiber output                              | 105 µm<br>0.22 N.A<br>FC / APC connector        |
| Fiber length  | 40 cm (± 2)                                     |
| Fiber protection                                    | black reinforced 3 mm diameter furcation tubing |

### — Plug and Play version provided with :

- ControlBoxx
- Power supply

## System Specifications



## Other options

- Heat sink

## General specifications

|                       | Plug and Play version                         | OEM version                  |
|-----------------------|---|------------------------------|
| Compliance            | CE<br>FDA 21 CFR 1040.10/1040.1               | FDA 21 CFR 1040.10 / 1040.11 |
| Operating temperature | 10 - 38°C ambient air with optional heat sink | 15 - 45°C baseplate          |
| Power consumption     | ≤ 25 W  | ≤ 10 W                       |
| Storage temperature   | 0 to 60°C                                     |                              |
| Supply voltage        | 100 to 240 VAC<br>external power supply       | 5 to 12 VDC                  |
| Warm-up time          | ≤ 10 minutes                                  |                              |
| Interfaces            | USB, RS-232, dedicated electronic interface   |                              |

Warranty : 12 months from shipment date



## CONTACT US

Oxxius S.A  
4 rue Louis de Broglie  
F-22300 Lannion, France