

The RAMM / MIM Platform for Microscopy

A Modular Alternative for Innovative Research



APPLIED SCIENTIFIC
INSTRUMENTATION



联系人: 于工

电话: 13127820466

邮箱: huaijian-yu@auniontech.com

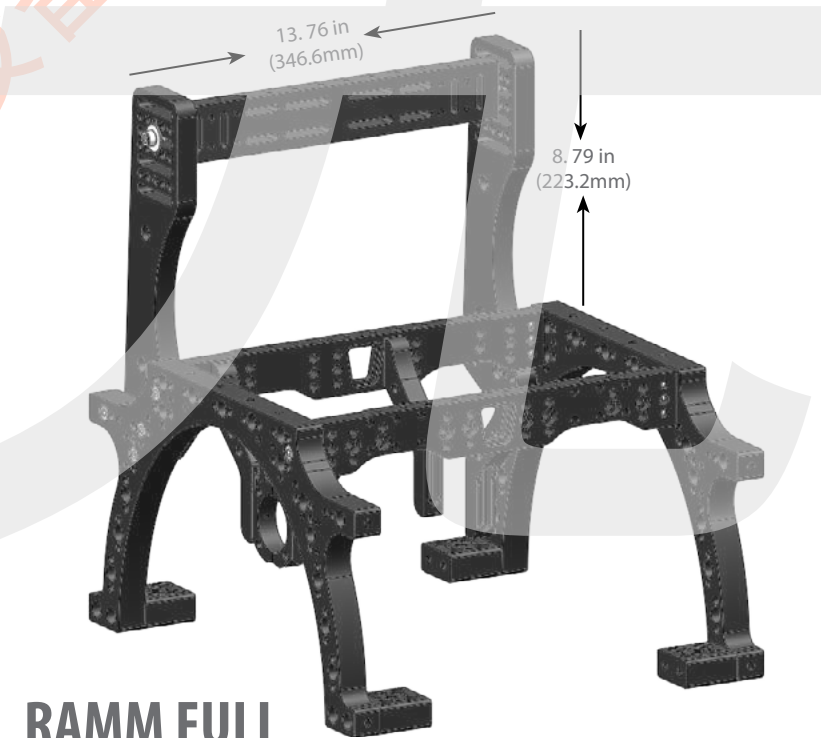
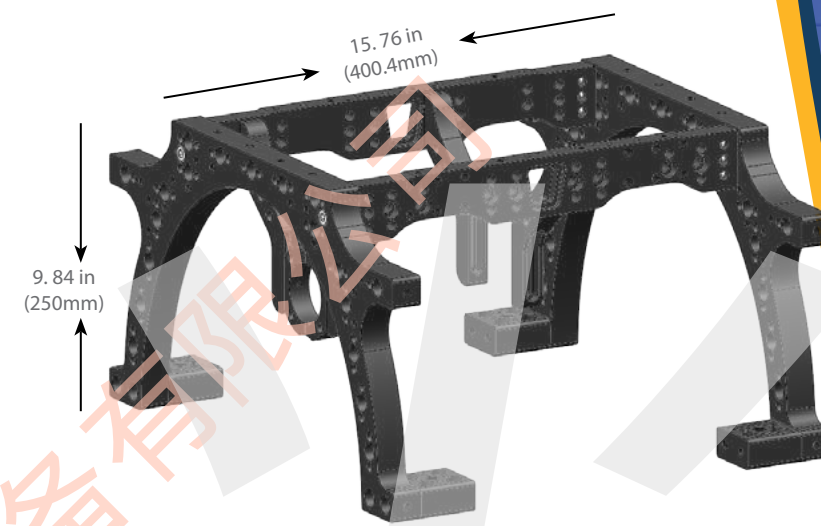
上海昊量光电设备有限公司 Phone: 4006-888-532 WeChat: Auniontech Website: www.auniontech.com E-mail: info@auniontech.com



Why a Modular Microscope?

- Simple single-purpose microscope can be less expensive than a general purpose instrument.
- The light path is accessible for experimenter / developer.
- Modular components offer a kit of parts for build-your-own researchers.
- Complicated systems possible.
- Can be upgraded and modified easily as requirements change.

RAMM BASIC



RAMM FULL

Includes RAMM Basic Framework with a Riser for Transmitted Light Mounting.

The RAMM Frame

- Supports the microscope assembly and the stage in a manner that ensures close coupling between sample and objective to minimize drift and vibration.
- Many mounting holes and support points for custom adaptations.



APPLIED SCIENTIFIC
INSTRUMENTATION

上海昊量光电设备有限公司

Phone: 4006-888-532

WeChat: Auniontech

Website: www.auniontech.com

E-mail: info@auniontech.com



APPLIED SCIENTIFIC
INSTRUMENTATION

Modular Infinity Microscopes

- Include LS-50 Focus Drive "backbone."
- Beam-splitter and Mirror attached to LS-50.
- Wide selection of imaging and illumination optical paths can be attached to CUBEs.
- A single objective or manual and automated nosepieces are supported.



MIM System Map



APPLIED SCIENTIFIC INSTRUMENTATION

上海昊量光电设备有限公司

Phone: 4006-888-532 WeChat: Auniontech Website: www.auniontech.com E-mail: info@auniontech.com

MIM2-OSM25-PII



APPLIED SCIENTIFIC INSTRUMENTATION



Cubes

- 60mm CUBES function to define optical combinations and paths.
- Internal filter cube (C60-D_CUBE) holds standard 25mm filters and 25mm x 36mm dichroics or mirrors.
- CUBE-II and CUBE-III have adjustable mirror tilt.
- CUBE-II has quick-change magnetic latches.



Port Switches

C60-3WMS Three-way Manual Switch:

Selects between two side ports or straight-through port depending upon position (or presence) of the mirror slide.

C60-PORT_SWITCH Motorized Mirror:

Automated for switching the common port between the two side ports.

Port switches allow for easy switching between multiple illumination systems or cameras.



APPLIED SCIENTIFIC
INSTRUMENTATION

上海昊量光电设备有限公司

Phone: 4006-888-532 WeChat: Auniontech Website: www.auniontech.com

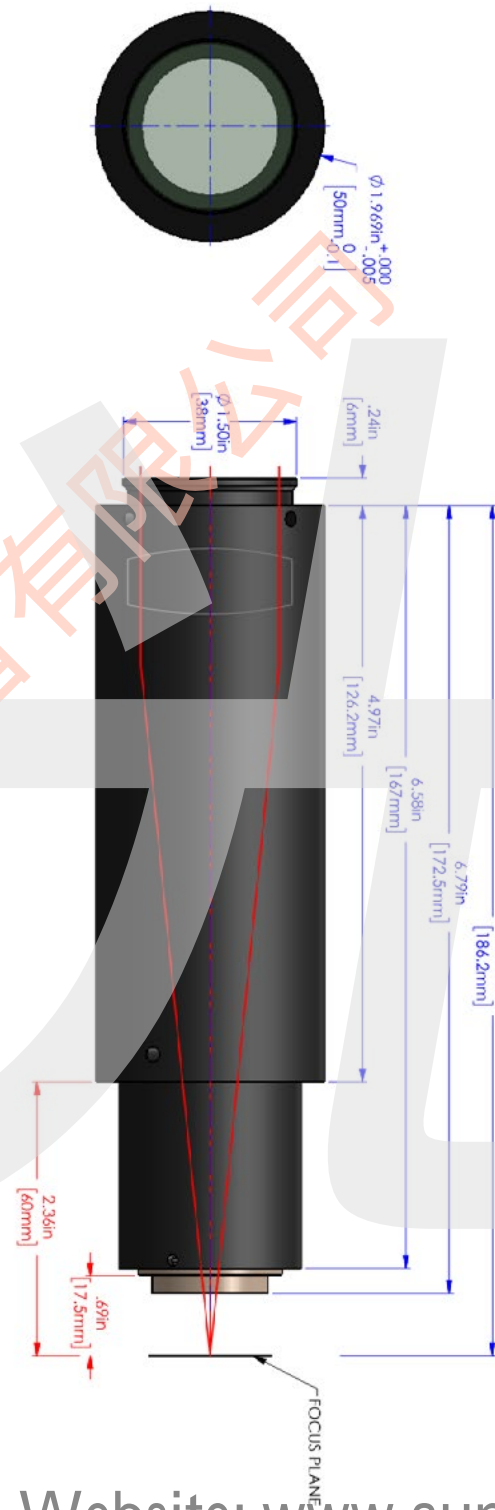
E-mail: info@auniontech.com



APPLIED SCIENTIFIC
INSTRUMENTATION

Four Position Cube Slider

- Automated or Manual versions.
- Same form-factor as standard C60-CUBEs.
- Removable filter cartridge for filter loading.



Tube Lenses and Photo-Ports

- All Tube Lenses use same format – lengths vary.
 - “Collimated Space” fitting is our 38mm C60-RING.
 - Focus is 60mm from end of lens tube.
 - “Focus Space” fitting uses “Zeiss-like” 30mm dovetail.
- Many choices from 70mm to 500mm focal length to best match camera sensor.



APPLIED SCIENTIFIC
INSTRUMENTATION

上海昊量光电设备有限公司

Phone: 4006-888-532 WeChat: Auniontech Website: www.auniontech.com

E-mail: info@auniontech.com

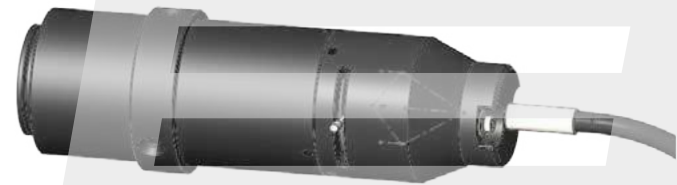


APPLIED SCIENTIFIC
INSTRUMENTATION

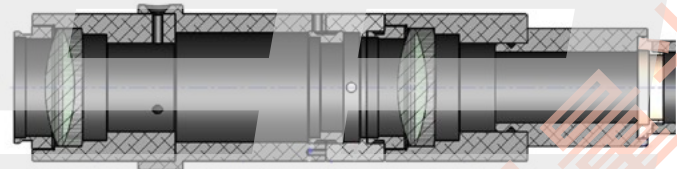


Epi-Illumination

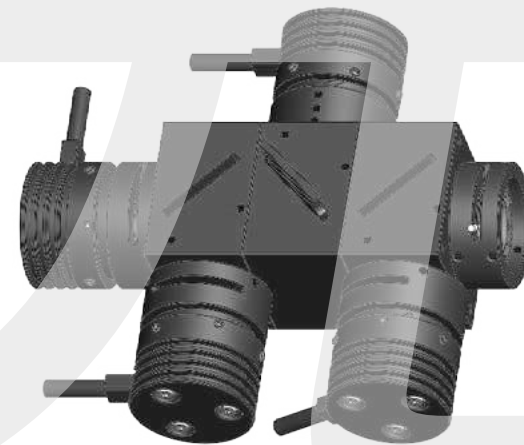
Illumination assemblies are made with modular lens components. This makes it possible to tailor the optics for the particular application and microscope geometry.



LLG-E100 Condenser and Liquid Light Guide Adapter



LFP-E100 Fiber-Coupled Laser Illuminator Assembly



Multi-LED Illuminators

- Two or more LEDs can be combined into an illuminator assembly
- Single TGLED card controls up to four high power LEDs.
- Supported in μ Manger .



APPLIED SCIENTIFIC
INSTRUMENTATION

上海昊量光电设备有限公司

Phone: 4006-888-532 WeChat: Auniontech Website: www.auniontech.com E-mail: info@auniontech.com



APPLIED SCIENTIFIC
INSTRUMENTATION

CRISP Focus Stabilization

CRISP system will hold focus using a reference surface with a refractive index mismatch – such as the glass/air or glass/water slide interface.

Uses IR LED projected onto sample interface.

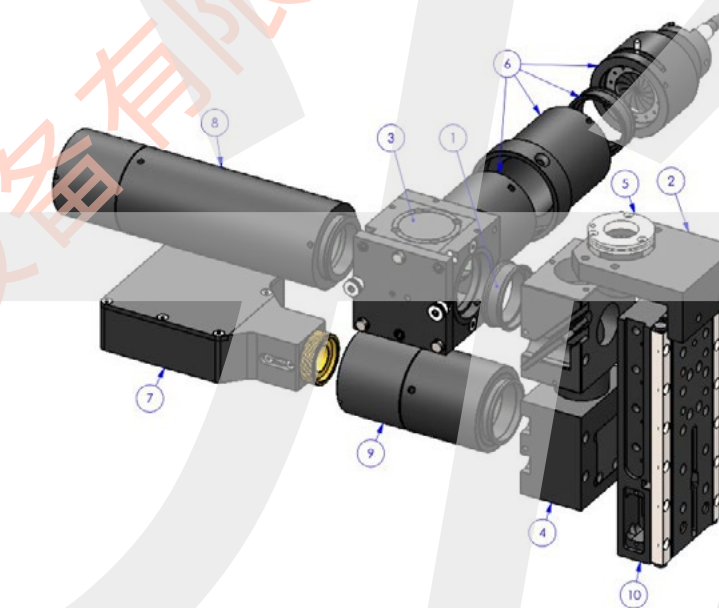
Continuous focus correction.



ITEM NO.	PART NUMBER	QTY.
1	C60-RING-A	1
2	C60-RA, OBJ. MNT	1
3	C60-FILTER CUBE ASSEMBLY	1
4	C60-RA, 2nd. PORT ASSEMBLY	1
5	C60-RA, OBJ. MNT. ADAPTER	1
6	LLG3-E100 ASSEMBLY	1
7	CRISP-S ASSEMBLY	1
8	TN200 ASSEMBLY with C60-5060 C-MOUNT	1
9	C60-TUBE-100 ASSEMBLY with C60-5060 C-MOUNT	1
10	LS-50 LE	1

Putting it all Together

Exploded diagram of a MIM2 microscope system with camera port, liquid light guide epi-illumination source, for a single objective with CRISP autofocus.



APPLIED SCIENTIFIC
INSTRUMENTATION

上海昊量光电设备有限公司

Phone: 4006-888-532 WeChat: Auniontech Website: www.auniontech.com E-mail: info@auniontech.com



APPLIED SCIENTIFIC
INSTRUMENTATION

Transmitted Light Illumination

- Olympus IX2-LWUCD condenser .
- ASI White LED Lamp.
- ASI adjustable condenser carrier.
- Use with Olympus nose piece for DIC or Phase contrast brightfield imaging modes.



RAMM Imaging Platform

The RAMM frame integrates MIM microscope, XY stage, and top-side illumination into a fully functional compact automated imaging platform.



APPLIED SCIENTIFIC
INSTRUMENTATION

上海奥量光电设备有限公司

Phone: 4006-888-532 WeChat: Auniontech Website: www.auniontech.com

E-mail: info@auniontech.com



APPLIED SCIENTIFIC
INSTRUMENTATION

Controlling the Microscope

MS2000 4-axis controller best for simple microscopes with XYZ stage and up to one other motorized axis. Additionally supports one piezo axis.

TG-8 and **TG-16** Modular controllers provide a complete solution for XYZ stages, filter wheels, piezo devices, MEMS mirror scanners, PMT's, electronic tunable lenses, and future development. Use for more complex systems that require more than the MS2000 can deliver.

All supported in many imaging software packages including MicroManager and MetaMorph.



Advanced Applications

- **Common variations:**
 - TIRF
 - Dual Cameras
 - Multiple Epi-Sources
 - DiSPIM
 - oSPIM
- Top-side Microscopes



APPLIED SCIENTIFIC
INSTRUMENTATION

上海昊量光电设备有限公司

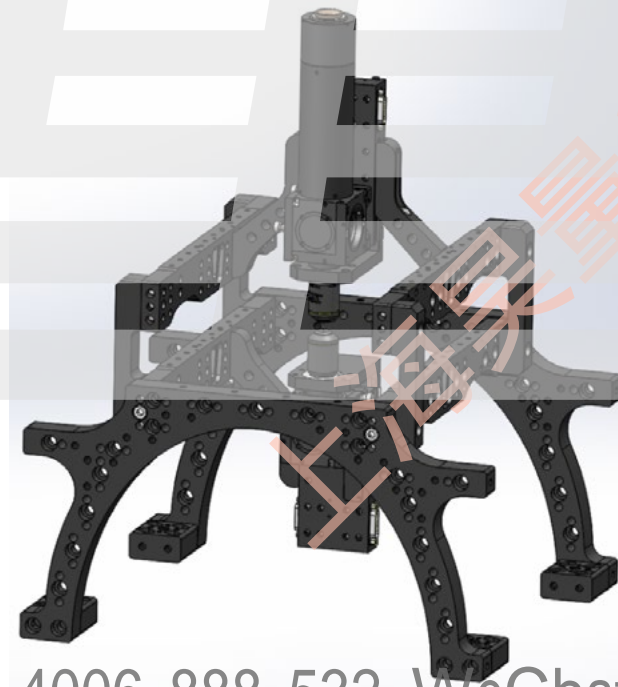
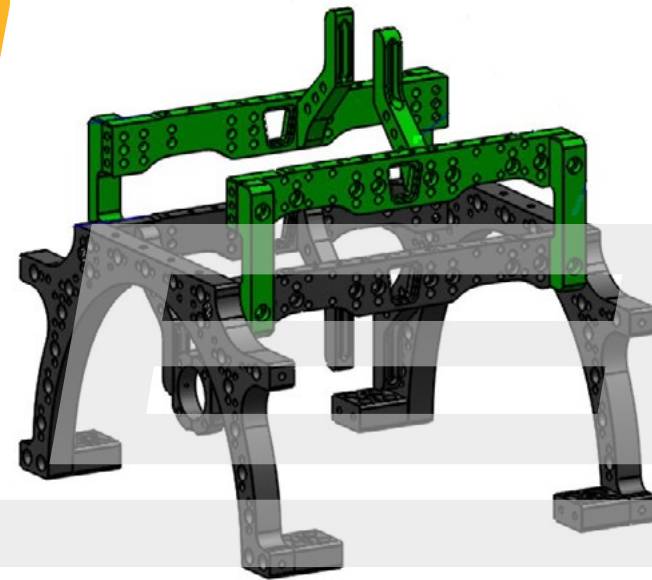
Phone: 4006-888-532 WeChat: Auniontech Website: www.auniontech.com E-mail: info@auniontech.com



APPLIED SCIENTIFIC
INSTRUMENTATION

Top-Side Microscopes

- Simple brackets allow for a top-side microscope directly above the inverted scope.
- Uses for top-side scope include:
 - 4π microscopy collects more photons
 - Two simultaneous magnifications of same sample
 - High NA condenser for illumination
 - Multiple views of thicker samples



TIRF on the RAMM

- TIRF fiber-coupled illuminator includes either a manual or motorized micrometer for setting the injection point and TIRF angle.
- Simple cage section allows for exact focus of the laser spot at the objective back focal plane.



APPLIED SCIENTIFIC
INSTRUMENTATION

上海昊量光电设备有限公司

Phone: 4006-888-532 WeChat: Auniontech Website: www.auniontech.com

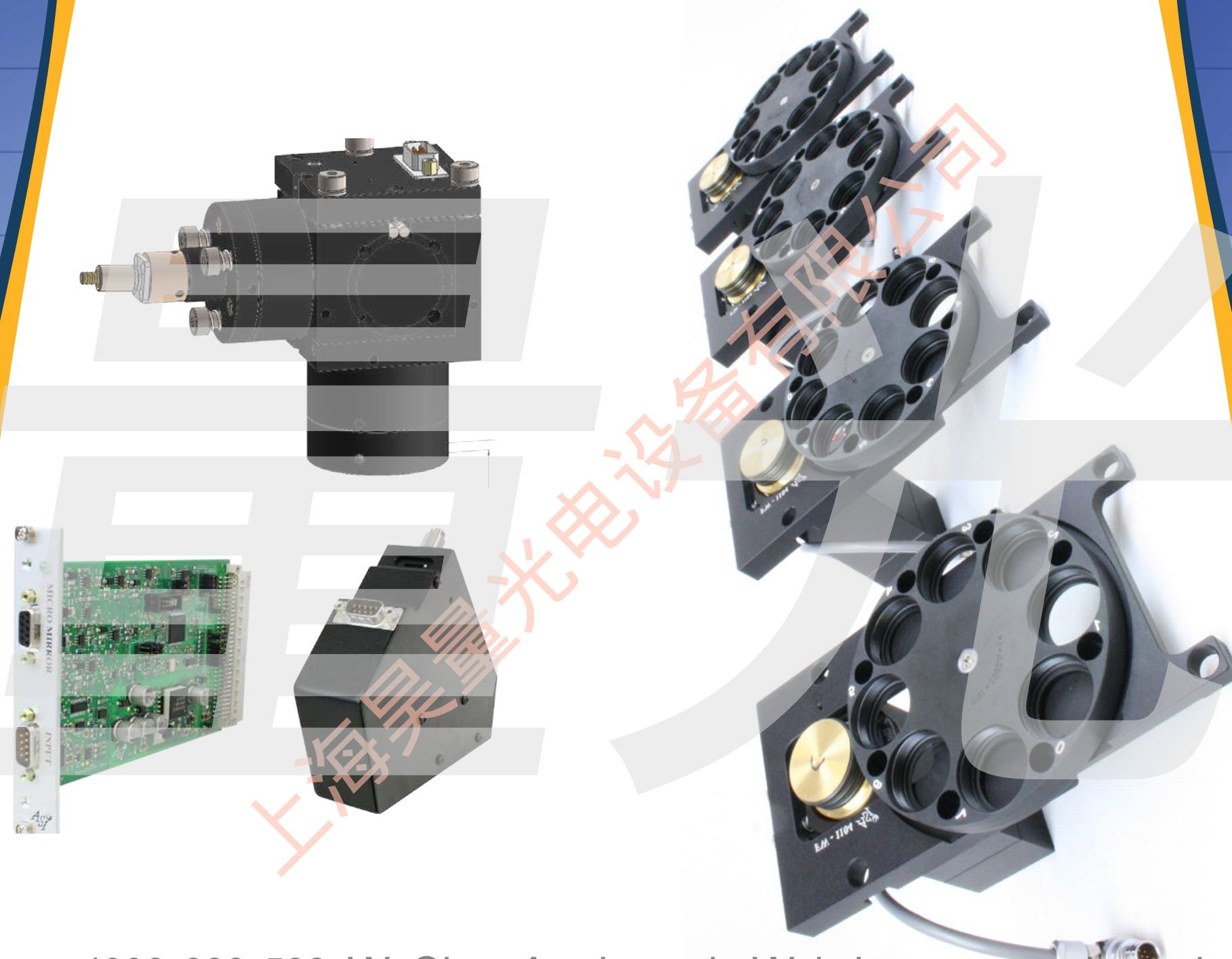
E-mail: info@auniontech.com



APPLIED SCIENTIFIC
INSTRUMENTATION

Fiber-Coupled MEMS Mirror Laser Scanners

- Compact 2-axis MEMS Mirror Scanners.
- C-mount scanner has focused scanned beam at C-mount image plane.
- Light weight – low vibration.
- Four-axis controller card for TG controllers – μ Manger compatible.
- Applications include:
 - Light Sheet Generators
 - FRAP
 - Photo-stimulation



Filter Wheels

- Filter wheels can be installed in the C-mount fitting or in collimated space.
- Wheels for eight 25mm filters or six 32mm filters available.
- TGFW control card handles two wheels.



APPLIED SCIENTIFIC
INSTRUMENTATION

上海昊量光电设备有限公司

Phone: 4006-888-532 WeChat: Auniontech Website: www.auniontech.com

E-mail: info@auniontech.com



APPLIED SCIENTIFIC
INSTRUMENTATION

PMTs

Dual PMT controller will handle two Hamamatsu.

PMT tubes with built in over-current protection.

PMT housing has C-mount with focal plane iris to localize the active sampling region.

Onboard ADCs with background subtraction features and full support in μ Manger.

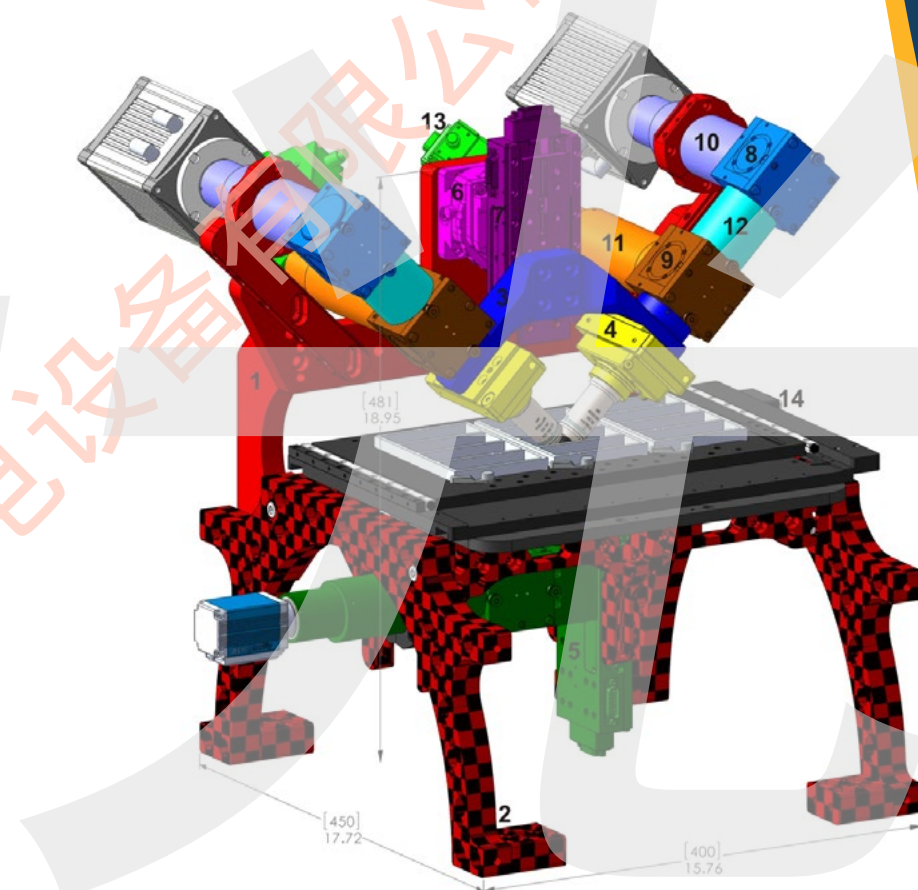
Use with DCMS C-mount splitter for multi-color ratio experiments.



diSPIM on a RAMM Frame

DiSPIM Parts and Function

1. SPIM mount
2. RAMM frame
3. Objective mount
4. Objective piezo
5. Bottom-side microscope
6. CDZ centering stage
7. SPIM LS-50 Z-drive
8. Camera mirror cubes
9. Excitation filter cubes
10. Camera tube lens
11. Scanner tube lens
12. Spacer
13. Light sheet scanners
14. MS2500 large stage



APPLIED SCIENTIFIC
INSTRUMENTATION

上海昊量光电设备有限公司

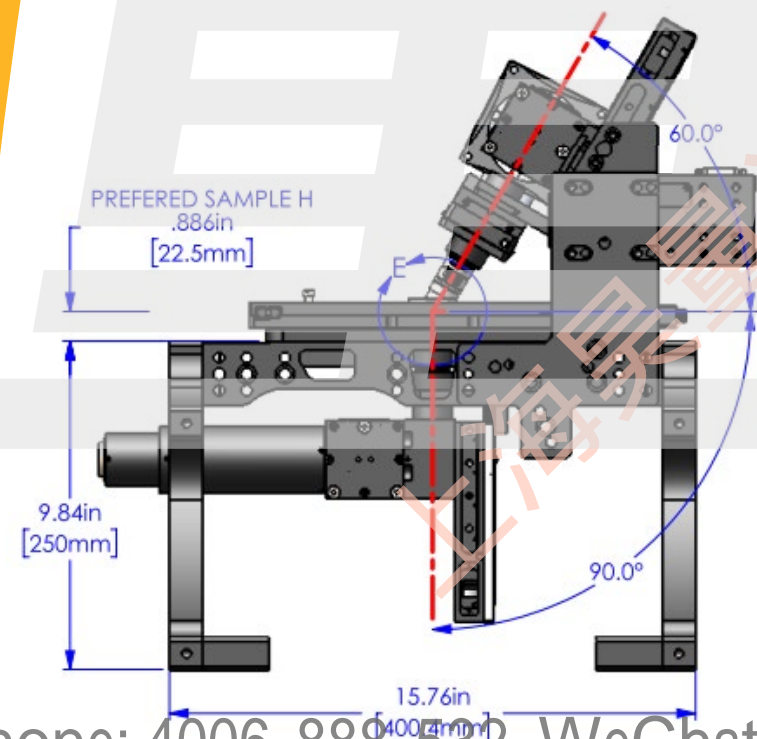
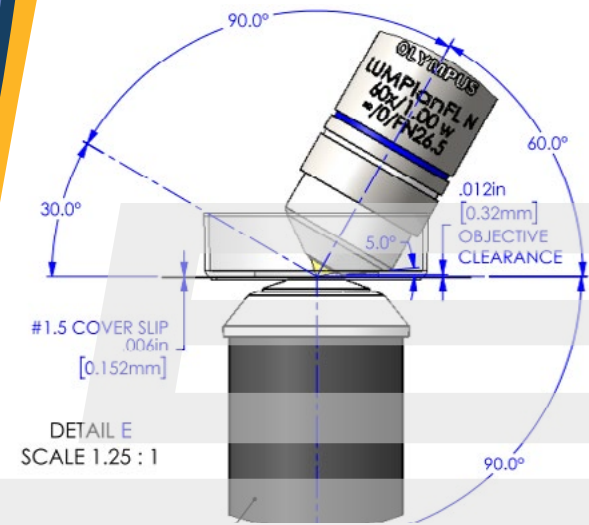
Phone: 4006-888-532 WeChat: Auniontech Website: www.auniontech.com E-mail: info@auniontech.com



APPLIED SCIENTIFIC
INSTRUMENTATION

oSPIM Implementation

Bottom objective creates tilted light sheet for imaging with top objective.



APPLIED SCIENTIFIC INSTRUMENTATION

上海昊量光电设备有限公司

Phone: 4006-888-532 WeChat: Auniontech Website: www.auniontech.com

E-mail: info@auniontech.com



APPLIED SCIENTIFIC INSTRUMENTATION

What do you need?
We can do it!

We Create
Solutions

上海昊量光电设备有限公司

联系人: 于工
电话: 13127820466
邮箱: huaijian-yu@auniontech.com



APPLIED SCIENTIFIC
INSTRUMENTATION

上海昊量光电设备有限公司 Phone: 4006-888-532 WeChat: Auniontech Website: www.auniontech.com E-mail: info@auniontech.com

← start...



APPLIED SCIENTIFIC
INSTRUMENTATION